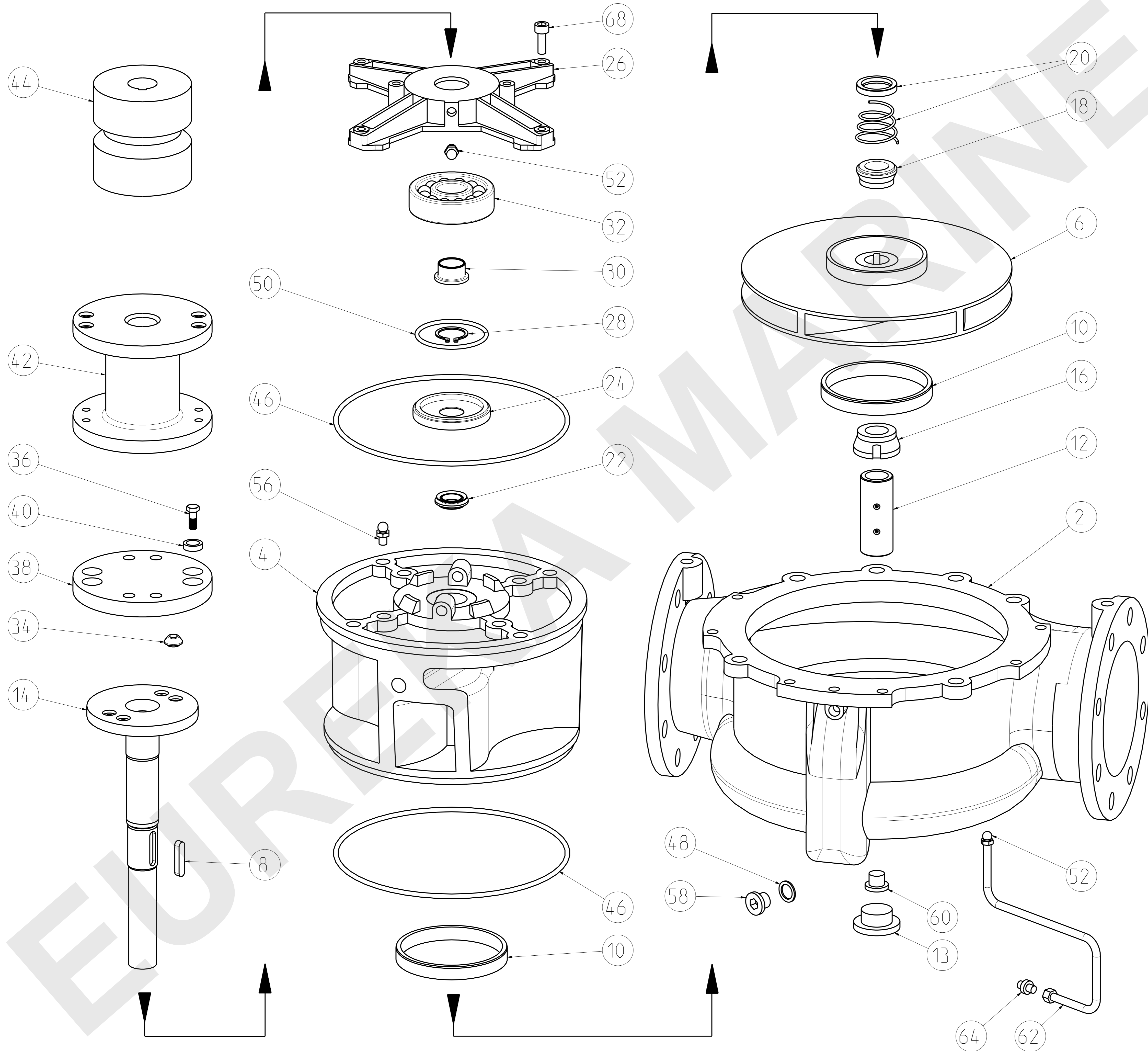


CENTRIFUGAL PUMP TYPE CG



POS	NAME	QTY	MATERIAL
2	PUMP CASING	1	BRONZE
4	PUMP COVER	1	BRONZE
6	IMPELLER	1	Ni-A1-BRONZE
8	SHAFT KEY	1	STAINLESS STEEL
10	WEARE RING	2	BRONZE
12	BEARING BUSH	1	LEAD BRONZE
13	BEARING PLUG	1	BRASS
14	PUMP SHAFT	1	STAINLESS STEEL
16	SHAFT NUT	1	STAINLESS STEEL
18	DISTANCE RING	1	STAINLESS STEEL
20	MECHANICAL SEAL	1	
22	GREASE SEAL	1	NITRILE RUBBER
24	BEARING COVER	1	MILD STEEL
26	BEARING HOUSING	1	CAST IRON
28	CIRCLIP	1	SPRING STEEL
30	BEARING SLEEVE	1	MILD STEEL
32	BALL BEARING	1	STEEL
34	BOBBIN	16	F.C. STEEL
36	COUPLING BOLT	16	STEEL
38	COUPLING DISC	16	STAINLESS STEEL
40	COUPLING LOCK	8	STAINLESS STEEL
42	PROPELLER SHAFT	1	MILD STEEL
44	MOTOR COUPLIG	1	MILD STEEL
46	O-RING	2	NITRILE RUBBER
48	SEAL	1	NITRILE RUBBER
50	O-RING	1	NITRILE RUBBER
52	LUBRECATING NIPPEL	2	PLATED STEEL
56	GREASE PLUG	1	MN. BRASS
58	DRAIN PLUG	1	BRONZE
60	DRAIN PLUG	1	BRONZE
62	LUBRECATING PIPE	1	COPPER
64	PIPE NIPPEL	2	BRASS
68	LOCK SCREW	4	PLATED STEEL
70	SOCKET HEAD SCREW	20	STEEL

Eureka Marine
 Skogliveien 4
 N-3047 Drammen
www.eurekamarine.com