



Spare parts Catalog

M26.2 SERIE
6M26.2 GE



MOTEURS BAUDOIN

Tel:

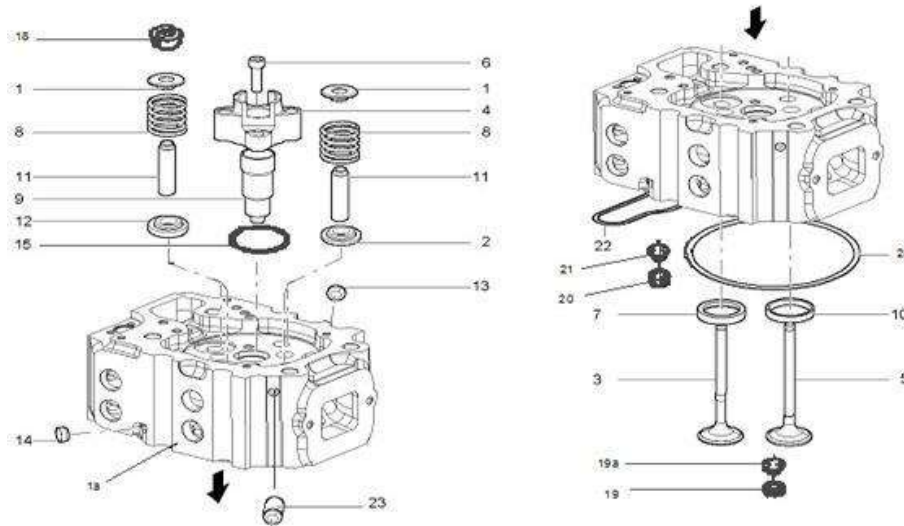
Fax:

E-mail: web.spare-parts@moteurs-baudouin.fr

Website:

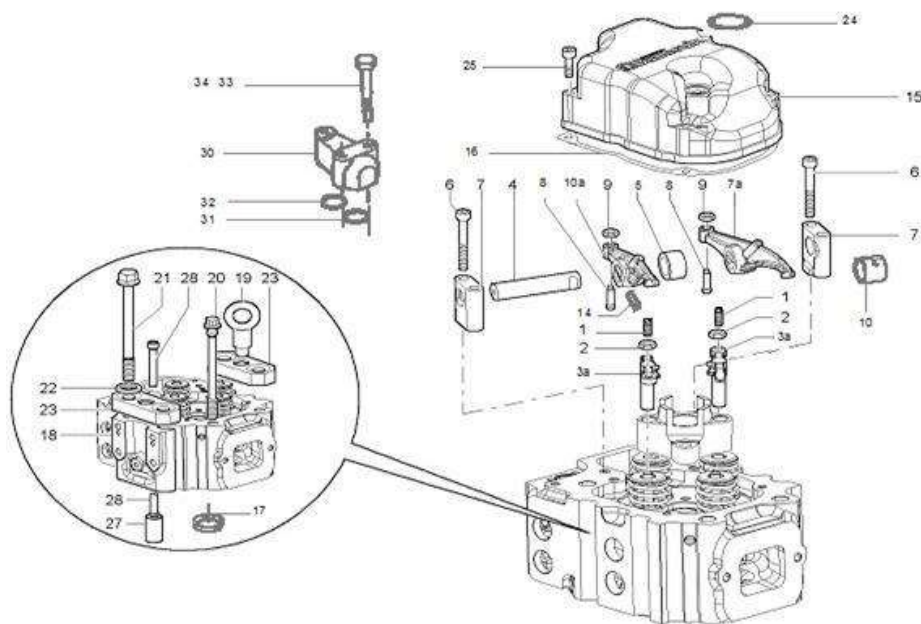
01 - Cylinder block

CYLINDER HEAD - VALVE



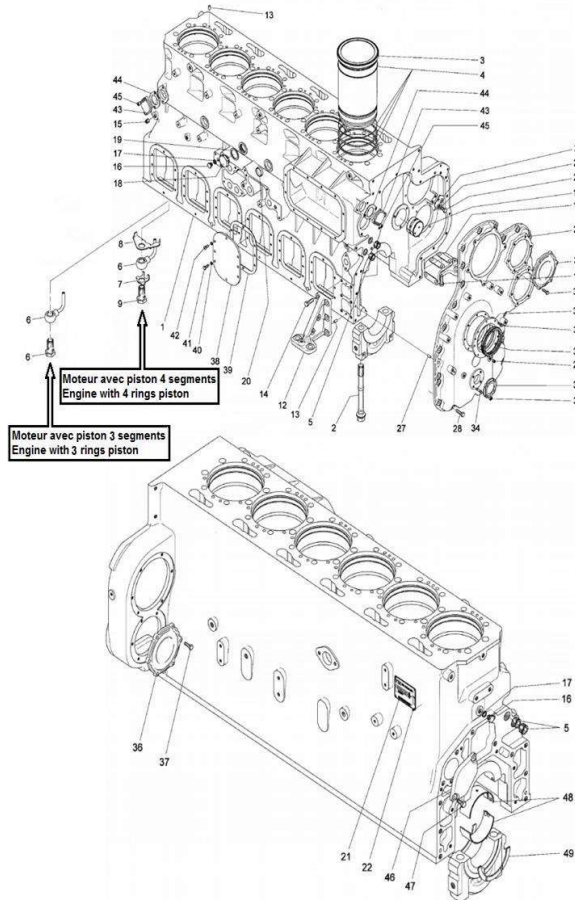
Rep	Reference	Description	Qty	Remarks
1a	15511050M	CYLINDER HEAD ASSEMBLY M26.2	6	Kit containing:
1	15012610E	UPPER SPRING CUP M26.2	4	Is in N°15511050M
2	15012750G	INLET VALVE LOWER SPRING CUP	2	Is in N°15511050M
3	14011470J	VALVE - EXHAUST	2	Is in N°15511050M
4	15010330B	VALVE BRIDGE GUIDE	1	Is in N°15511050M
5	15012820H	VALVE - INTAKE M26.2	2	Is in N°15511050M
6	77753190M	SCREW CHC 10 1.50 35 35 12.9	2	Is in N°15511050M
7	15012810X	EXHAUST VALVE SEAT M26.2	2	Is in N°15511050M
8	15012720Z	SPRING - VALVE	4	Is in N°15511050M
9	15012730K	INJECTOR SLEEVE ASSEMBLY M26.2	1	Is in N°15511050M
10	15012800L	INTAKE VALVE SEAT M26.2	2	Is in N°15511050M
11	15011040Y	VALVE GUIDE	4	Is in N°15511050M
12	15012740W	EXHAUST VALVE LOWER SPRING CUP	2	Is in N°15511050M
13	77701610X	CUP PLUG 28 STAINLESS	10	Is in N°15511050M
14	77701630T	CUP PLUG 12 STAINLESS	2	Is in N°15511050M
15	77711170N	O RING 35,5 3 NITR	1	Is in N°15511050M
18	14010780J	VALVE COTTER	8	Is in N°15511050M
19	15011050J	GASKET - OIL HUILE 9X15,3X7	6	
19a	13502590D	OIL RETURN PIPE	6	
20	15011062X	GASKET	30	
21	13502380A	WATER TUBE	30	

22	77713000C	O RING 88,27 5,33 VIT	6
23	77754270L	SCREW HC BP 12 1.75 12 12	6
-	15519531F	PJ MONT CULAS./PORTE/JT 12/94	6
-	15559260P	ROCKER ARM/INJ. GASKET KIT	6
24	15011611T	CYL HEAD GASKET 6.2 CH 12,5 1,80	-
24	15011612V	CYL HEAD GASKET 6.2 CH 12,5 1,85	-
24	15011613W	CYL HEAD GASKET 6.2 CH 12,5 1,90	-
24	15011614X	CYL HEAD GASKET 6.2 CH 12,5 1,95	-
24	15011610S	CYL. HEAD GASKET	-
24	15011617A	CYL HEAD GASKET 6.2 CH 12,5 2,05	-
24	15011618B	CYL HEAD GASKET 6.2 CH 12,5 2,10	-
24	15011619C	CYL HEAD GASKET 6.2 CH 12,5 2,15	-
24	X5736.012	CYL HEAD GASKET 6.2 CH 12,5 2,20	-
24	15011615Y	CYL HEAD GASKET 6.2 CH 12,5 2,25	-
24	X5736.013	CYL HEAD GASKET 6.2 CH 12,5 2,30	-
24	X5736.014	CYL HEAD GASKET 6.2 CH 12,5 2,35	-
24	X5736.015	CYL HEAD GASKET 6.2 CH 12,5 2,40	-
24	X5736.024	CYL HEAD GASKET 6.2 CH 12,5 2,45	-
24	15011616Z	CYL HEAD GASKET 6.2 CH 12,5 2,50	-



Rep	Reference	Description	Qty	Remarks
3a	13583540S	VALVE BRIDGE	2	Kit containing:
1	13504090J	SCREW	1	Is in N°13583540S
2	13504230L	NUT 10X1,00	1	Is in N°13583540S
4	13583500Z	ROCKER ARM SHAFT ASSEMBLY	1	
5	13502300N	SPACER 24 36 20	1	
6	77753250C	SCREW CHC 10 1.50 75 32	4	
7	15010320Q	SUPPORT - ROCKER ARM	2	
7a	13583521X	INTAKE ROCKER ARM ASSEMBLY	1	Kit containing:
8	13504190S	ROCKER MECH SWIVEL ART	1	Is in N°13583521X
9	13504230L	NUT 10X1,00	1	Is in N°13583521X
10	15020430E	ROCKER COLLAR	1	Is in N°13583521X
10a	13577721S	EXHAUST ROCKER ARM ASSEMBLY	1	Kit containing:
8	13504190S	ROCKER MECH SWIVEL ART	1	Is in N°13577721S
9	13504230L	NUT 10X1,00	1	Is in N°13577721S
10	15020430E	ROCKER COLLAR	1	Is in N°13577721S
14	77707010R	MECA DOWEL PIN 3 X15	1	Is in N°13577721S
15	15010361K	COVER - ROCKER ARM	6	
16	15010371W	GASKET	6	
17	15010380F	GASKET	24	
18	15010540E	END PLATE	2	
19	15010620R	TOLE DE LEVAGE	2	

20	15011580K	SCREW	24
21	15011591X	SCREW	14
22	15011620D	WASHER	14
23	15012130H	TIGHTENING PLATE	7
24	77713190J	O RING 24,6 3,6 NITR	6
25	14400331J	SCREW CHC 8 1.25 60 28 12.9	24
27	13504141P	TAPPET	12
28	15012880Y	PUSH ROD M26.2	12
30	15090850Y	BRIDGE WATER CIRCULATION	6
31	15090980P	WATER BRIDGE SQUARE GASKET	6
32	77711340Y	O RING 24 2,5 VITO	6
33	77752120Z	SCREW H 8 1.25 60 22	6
34	77752260B	SCREW H 8 1,25 55 22	12

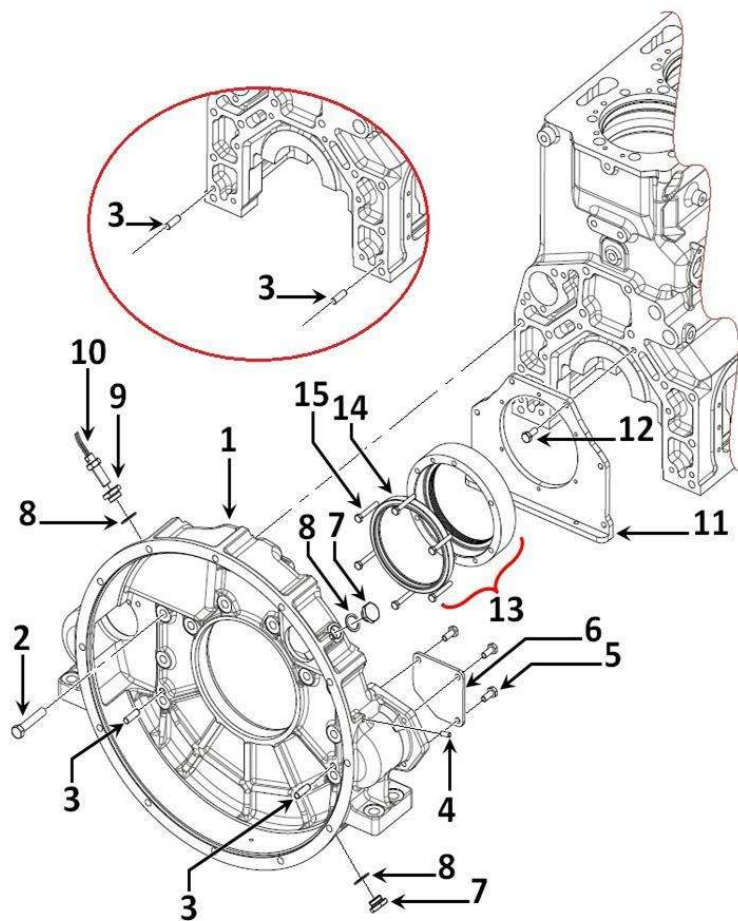


Rep	Reference	Description	Qty	Remarks
1	15510613M	CYLINDER BLOCK 6M26	1	Kit containing:
2	15011770R	SCREW	14	Is in N°15510613M
3	15519591W	LINER - CYLINDER M26	6	Is in N°15510613M / Kit containing:
4	13015090M	LINER GASKET KIT	1	Is in N°15510613M & in N°15519591W
5	14210350H	PLUG 27X200 STEEL	4	Is in N°15510613M
6	15519330M	PISTON COOLING JET ASSEMBLY M26	6	Is in N°15510613M / Kit containing:
7	14012070L	LOCKING PLATE	1	Is in N°15510613M & in N°15519330M
8	15010811Z	TAB WASHER	6	Is in N°15510613M
9	77720030T	HOLLOW SCREW 14X150	6	Is in N°15510613M
6	15021090X	PISTON COOLING JET ASSEMBLY M26	6	Is in N°15510613M
10	13501210D	BEARING - CAMSHAFT	6	Is in N°15510613M
11	15011700Q	SUPPORT - FRONT	1	Is in N°15510613M
12	15011690E	SUPPORT - FRONT	1	Is in N°15510613M
13	14400072C	CYLINDRIC DOWEL PIN 8X16	18	Is in N°15510613M
14	77754040L	SCREW H 12 1.75 35 35	12	Is in N°15510613M
15	14210360T	PLUG - CONICAL 14X150	6	Is in N°15510613M
16	14400234D	PLUG 14X150	2	Is in N°15510613M
17	77707540S	COPPER RING 14,5 17,9 1,5	2	Is in N°15510613M
18	13584180N	PLUG 38X150	1	Is in N°15510613M
19	77707870B	COPPER RING 38,3 45,9 2	1	Is in N°15510613M
20	77701580P	PLUG 36 STAINLESS	2	Is in N°15510613M

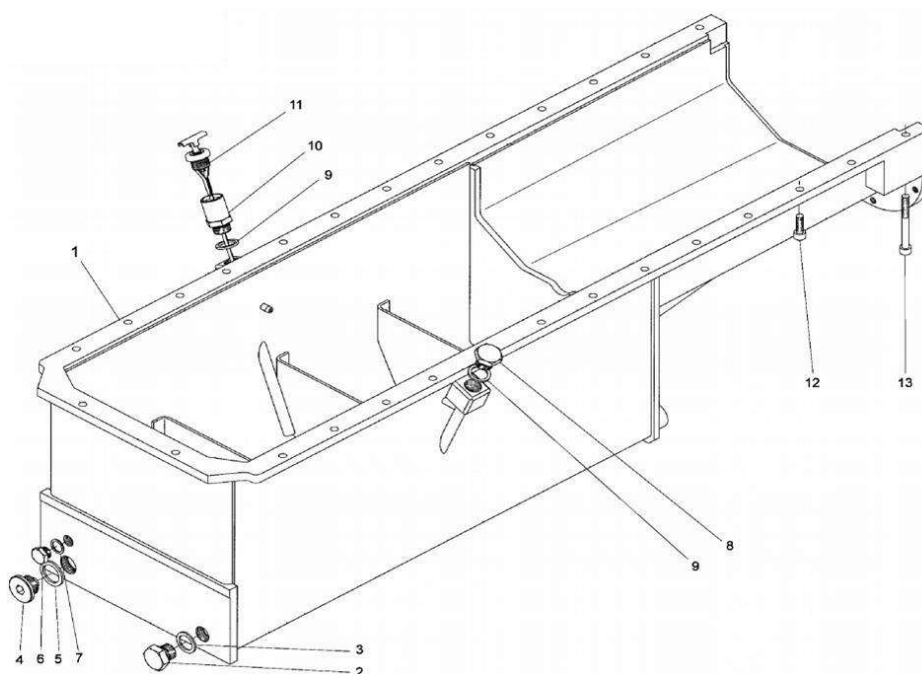
21	15012240C	PLAQUE ORDRE INJECTION 6M26	1	Is in N°15510613M
22	77724080W	RIVET 2.5 5 SIM N 2	4	Is in N°15510613M
23	15052030C	INDEX FINGER	1	
24	77753000F	SCREW H 10 1.50 16 16	2	
25	77720790V	WASHER SCHNORR S 10 10,5 1	2	
26	15011680T	CARTER DE MECANISME 6M26	1	
27	14400072C	CYLINDRIC DOWEL PIN 8X16	2	
28	77753040Z	SCREW H 10 1.50 35 35	25	
29	77753200Y	SCREW HC BP 10 1.50 10 10	2	
30	15510931H	FRONT SEAL RING 6M26 ASS.	1	Kit containing:
31	15010240D	RING 100.120 15	1	Is in N°15510931H
32	77751030P	SCREW H 6 1.00 20 20	8	
33	14011560G	TAPE	1	
34	77771030D	STUD 8(12. 02.16)	4	
35	77790200Q	NUT H 8	4	
36	14210460C	LOCK PLATE	2	
37	77752040M	SCREW H8 1.25 25 25	12	
38	13501200S	INSPECTION DOOR	5	
39	13015290E	INSPECT. DOOR GASKET KIT 6CYL	1	Kit containing:
40	77707520W	COPPER RING 12,2 15,9 1,5	48	Is in N°13015290E
41	77752020Q	SCREW H8 1.25 20 20	43	
42	77752680H	SCREW HC TB 8 20	4	
43	15032090D	OVAL FLANGE E 62-64 FULL STEE	2-	
44	14031820D	OVAL GASKET	2-	
45	77752240E	SCREW CHC 8 1.25 25 25 12.9	4-	
46	13501370C	LOCK PLATE	1	
47	77753010R	Screw	2	
48	15510670Z	MAIN BEARING STAND. SIZE 6M26	7	
48	15510680K	MAIN BEARING OVERSIZED 0,5	-	
48	15510690W	jeux de coussinets	-	
49	15011780C	UPPER THRUST HALF FLANGE	2	
49	15011800Z	UPPER THRUST HALF FLANGE	2	

01 - Cylinder block

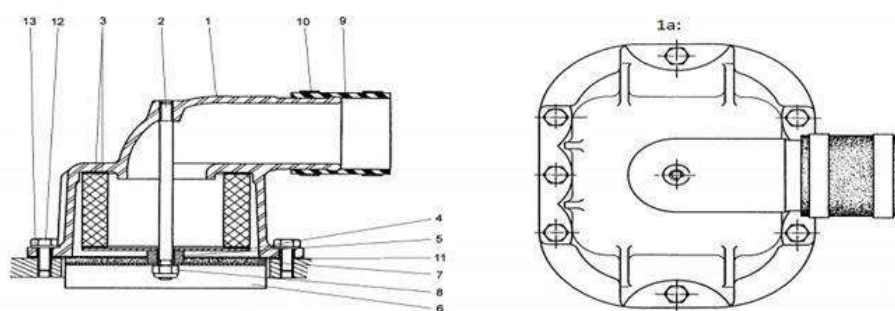
FLYWHEEL HOUSING



Rep	Reference	Description	Qty	Remarks
1	13506541Y	FLYWHEEL HOUSING P15L	1	
2	77755080R	SCREW H 14 2.00 75 34	12	
3	77706050Y	SLINED PIN 10X36 LGC-G05	2	
3	15010830V	SPINDLE	2	
4	77706650A	SLINED PIN 8X20 LGC-G05	1	
5	13601570Q	LOCK PLATE	1	
6	77753020C	SCREW H 10 1.50 25 25	3	
7	14011250V	PLUG 24X150 STEEL	2	
8	77707630Q	GASKET	3	
9	15111280E	BORED PLUG 24X150 5/8 UNF	1	
10	15111170K	MAGNETIC SENSOR	1	
11	13501060Q	REAR DOOR	1	
12	77753020C	SCREW H 10 1.50 25 25	6	
13	13583491P	REAR SEAL RING ASSEMBLY	1	Kit containing:
14	13505601B	SEAL RING 158 180 16 VITON	1	Is in N°13583491P
15	77752260B	SCREW H 8 1,25 55 22	6	
-	77790400H	NUT H	10	
-	77754160R	SCREW H 12 1.75 110 30	5	
-	77754180N	SCREW H 12 1.75 135 31	5	



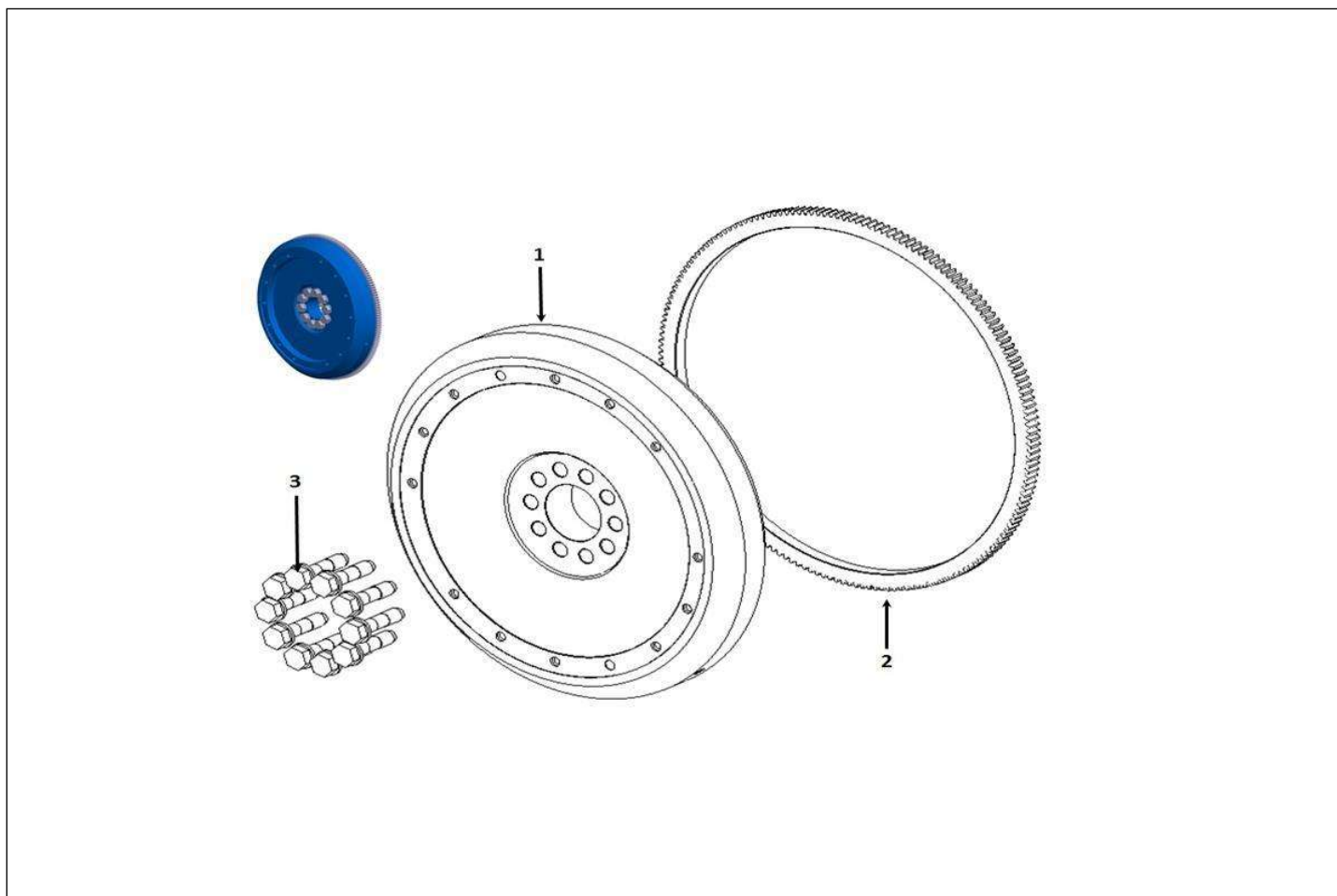
Rep	Reference	Description	Qty	Remarks
1	15519680S	OIL PAN	1	Kit containing:
2	16011170W	PLUG 25X150 STEEL	1	Is in N°15519680S
3	77707840T	COPPER GASKET 25,3 32,9 2	1	Is in N°15519680S
4	14400070A	PLUG 30X200	1	Is in N°15519680S
5	14400073D	COPPER RING 30.3 37,9 2	1	Is in N°15519680S
6	11230560F	PLUG 18X150 BRASS	1	Is in N°15519680S
7	77707580L	COPPER RING 18,2 23,9 1,5	1	Is in N°15519680S
8	14011250V	PLUG 24X150 STEEL	1	Is in N°15519680S
9	77707630Q	GASKET	2	Is in N°15519680S
10	15011840S	END PIECE	1	Is in N°15519680S
11	15042390Z	OIL DIPSTICK 6M26.2	1	Is in N°15519680S
12	77753300G	SCREW CHC	26	
13	77753160E	SCREW CHC 10 1.50 95 32	2	



Rep	Reference	Description	Qty	Remarks
1a	15510380J	BREATHER P15.2 L	1	Kit containing:
1	15010720A	CORPS DE RENIFLARD	1	Is in N°15510380J
2	77771140Y	STUD 8(15.110.15)	1	Is in N°15510380J
3	13502530N	CARTRIDGE	1	Is in N°15510380J
4	15010730L	Plate breather	1	Is in N°15510380J
5	27302940J	SPACER 8,5 20 10	1	Is in N°15510380J
6	15010740X	DEFLECTOR	1	Is in N°15510380J
7	15010985N	PROFILE SILICONE R131 U 3X7	1	Is in N°15510380J
8	77723060M	NUT NYLSTOP	1	Is in N°15510380J
9	15010760T	HOSE 57 65 60	1	Is in N°15510380J
10	77704680J	HOSE CLIP 62- 82	2	Is in N°15510380J
11	13501131S	GASKET	1	
12	77752020Q	SCREW H8 1.25 20 20	8	
13	77707760G	COPPER RING 8,2 16 1,5	8	

02 - Moving parts

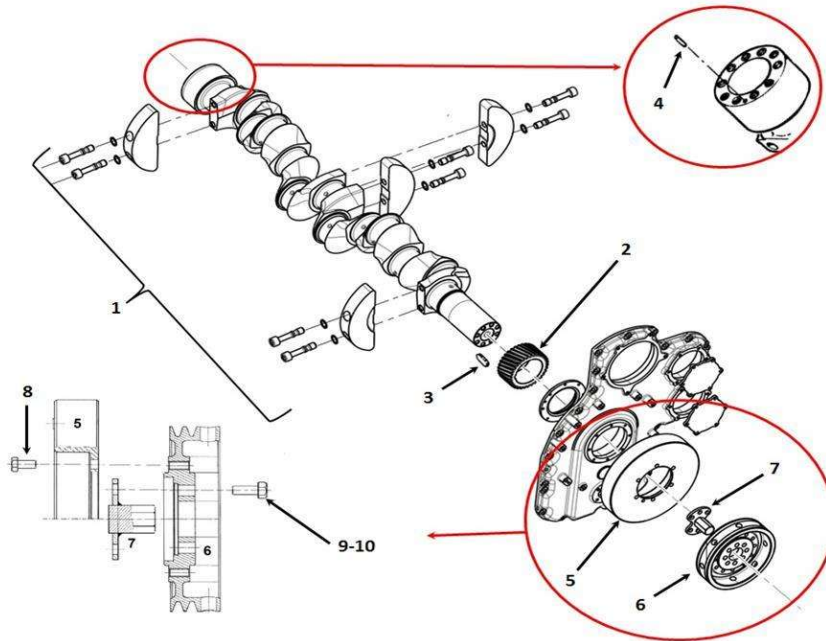
FLYWHEEL



Rep	Reference	Description	Qty	Remarks
1a	15520200H	14" FLYWHEEL UNITS	1	Kit containing:
1	15020420T	FLYWHEEL 14" 6-8P15.2	1	Is in N°15520200H
2	13625010T	RING GEAR	1	Is in N°15520200H
3	13508080W	SCREW	10	

02 - Moving parts

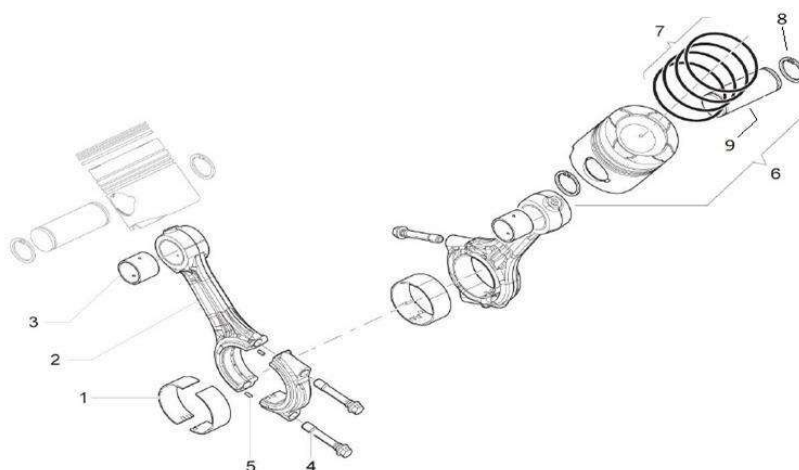
CRANKSHAFT - FRONT PULLEY



Rep	Reference	Description	Qty	Remarks
1	15520300R	CRANKSHAFT C.D. 6.2 VB2	1	
2	13504290B	TIMING GEAR	1	
3	77703640D	KEY 12 8 50	1	
4	77706060J	SLINED PIN 8X30 LGC-G05	1	
5	13608090C	DAMPER	1	
6	15020750C	FRONT PULLEY	1	
6	15070400V	FRONT PULLEY 175A 6M26	1	
7	15120580N	VIREUR M26	1	
8	77754020P	SCREW H 12 1.75 30 30	6	
9	77755050J	SCREW H 14 2.00 45 45	2	
10	77755060V	SCREW H 14 2.00 50 34	6	

02 - Moving parts

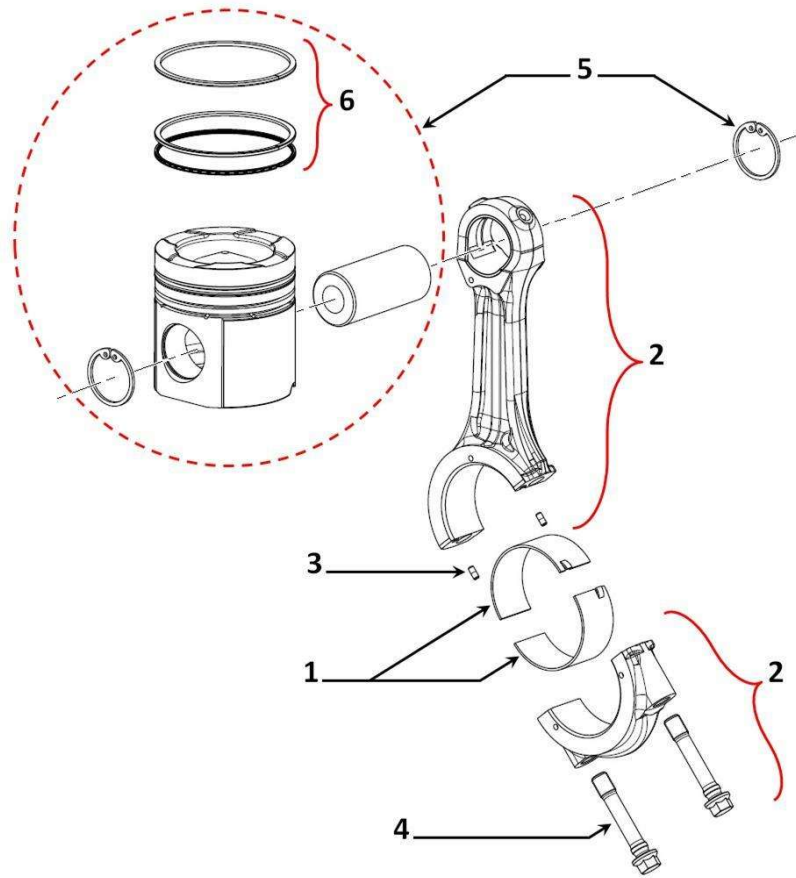
CON ROD - PISTON 4 RINGS



Rep	Reference	Description	Qty	Remarks
1	15529010J	BIG END BEARING STANDARD SIZE	1	
1	15529040R	BIG END BEARING FIRST REPAIR SIZE	1	
1	15529050C	BIG END BEARING SECOND REPAIR	1	
2	15520071S	CONROD 6M26/6P152	1	Kit containing:
3	13535080T	RING	1	Is in N°15520071S
4	15529120D	2 con rod screw kit	1	Is in N°15520071S
5	77707300G	DOWEL PIN	2	Is in N°15520071S
6	15520390P	PISTON + RINGS M26.2	1	Kit containing:
7	13025060Z	RING SET	6	Is in N°15520390P / Kit containing:
7	15020090K	TAPERED RING	1	Is in N°15520390P & in N°13025060Z
7	15020450B	RING	1	Is in N°15520390P & in N°13025060Z
7	15020460M	TAPERED RING	1	Is in N°15520390P & in N°13025060Z
7	15020470Y	OIL SCRAPER RING	1	Is in N°15520390P & in N°13025060Z
8	77703280M	CIRCLIP INT 60	2	Is in N°15520390P
9	15020180H	GUDGEON PIN	1	

02 - Moving parts

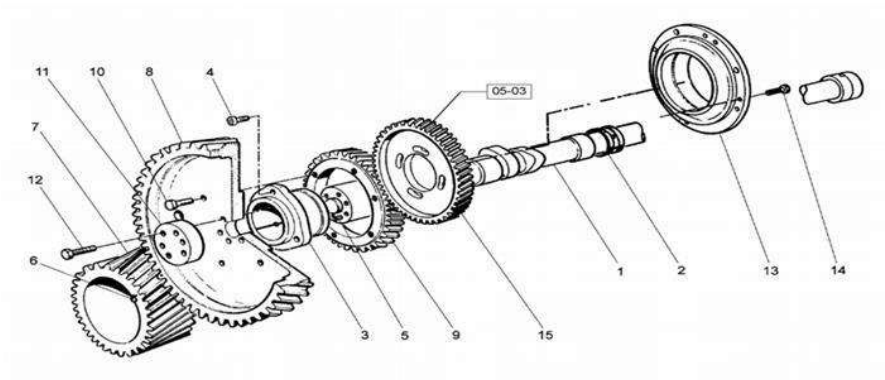
CON ROD - PISTON 3 RINGS



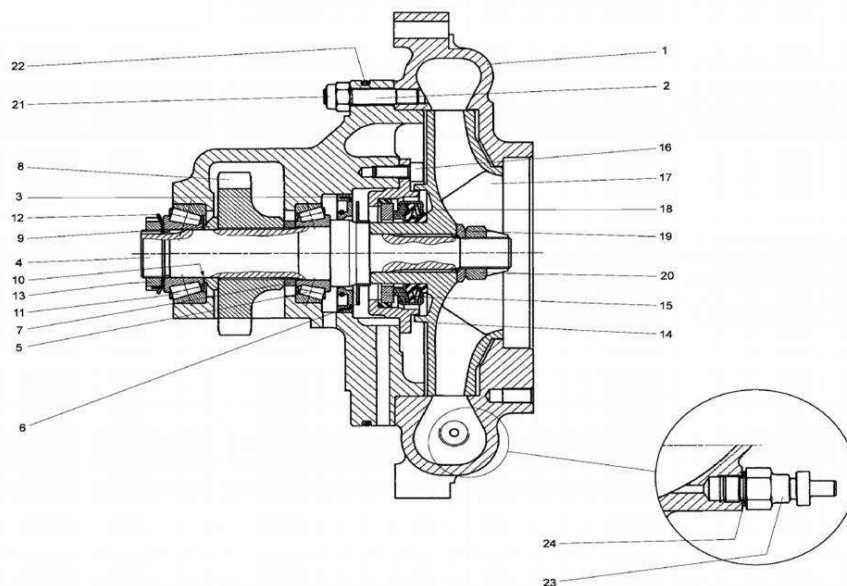
Rep	Reference	Description	Qty	Remarks
1	15529010J	BIG END BEARING STANDARD SIZE	1	
1	15529040R	BIG END BEARING FIRST REPAIR SIZE	1	
1	15529050C	BIG END BEARING SECOND REPAIR	1	
2	15520450E	CONROD 6M26.2/3	1	Kit containing:
3	77707300G	DOWEL PIN	2	Is in N°15520450E
4	15529120D	2 con rod screw kit	1	Is in N°15520450E
5	15529150L	PISTON ASSEMBLY	1	Kit containing:
6	15529160X	RING SET	1	Is in N°15529150L

02 - Moving parts

TIMING GEAR - CAMSHAFT

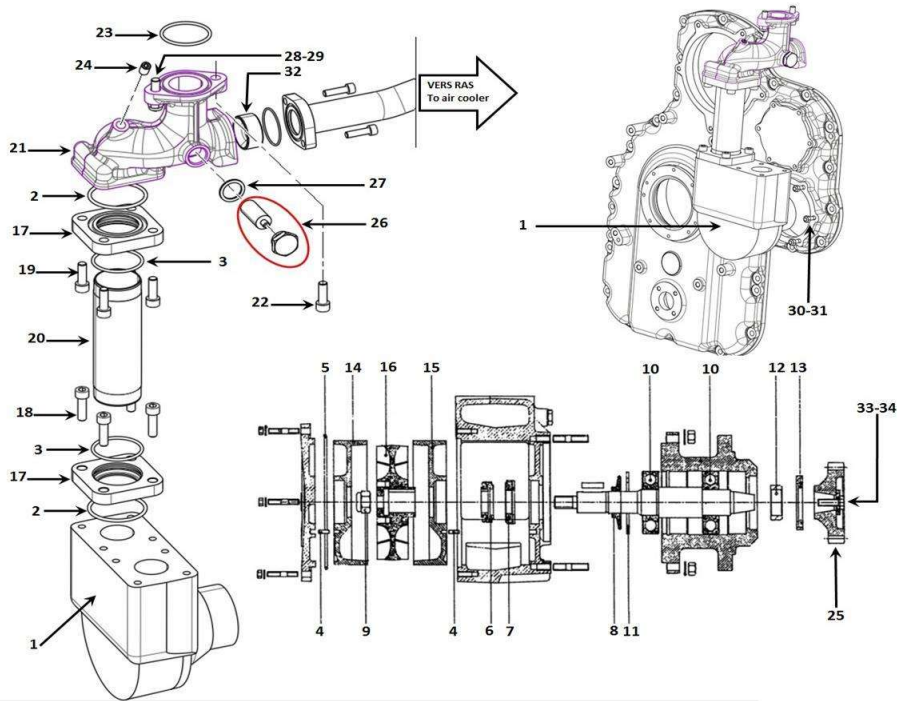


Rep	Reference	Description	Qty	Remarks
1	15021001A	CAMSHAFT 6M26.2	1	
2	13501210D	BEARING - CAMSHAFT	6	
3	13501100J	CAMSHAFT FRONT BEARING	1	
4	77752670X	SCREW	3	
5	77707150T	SPIRAL DOWEL PIN 6X14	1	
6	77703640D	KEY 12 8 50	1	
7	13504290B	TIMING GEAR	1	
8	13504211Q	CAMSHAFT WHEEL	1	
9	13504260T	INTERMEDIATE PINION	1	
10	77753020C	SCREW H 10 1.50 25 25	6	
11	15020400X	WASHER 43 65 20	1	
12	77753070G	SCREW H 10 1.50 50 26	6	
13	15051990J	FLANGE	1	
14	77752240E	SCREW CHC 8 1.25 25 25 12.9	6	
15	15052020R	GEAR - INJ. PUMP	1	



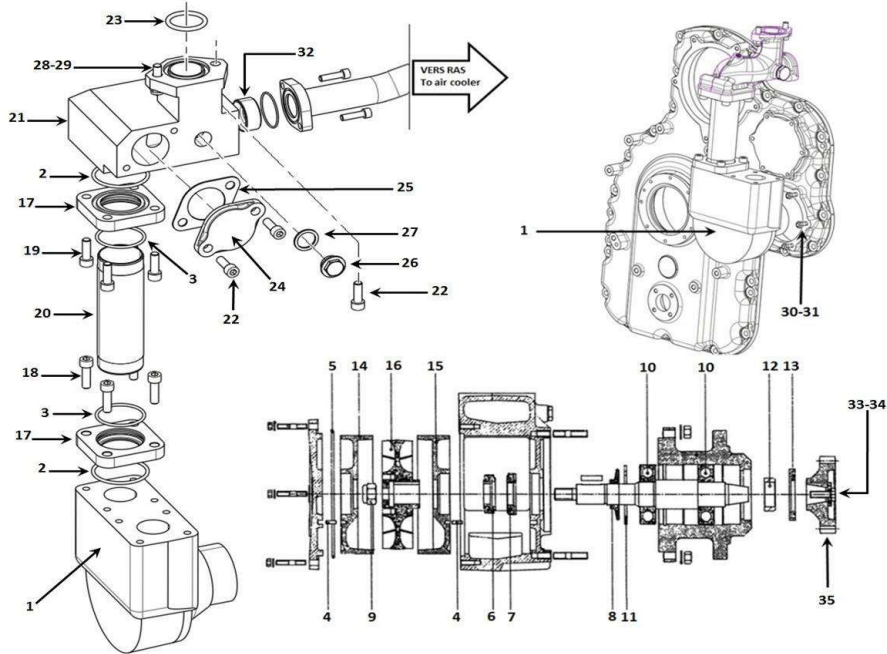
Rep	Reference	Description	Qty	Remarks
1	15531181T	FW PUMP 6M26	1	Kit containing:
2	77771260D	STUD 8(10. 13.20)	6	Is in N°15531181T
3	77700610K	SEAL RING 35 62 7 BA SIM	1	Is in N°15531181T
4	15032732B	FW PUMP SHAFT 6M26	1	Is in N°15531181T
5	77830440E	RL CON 28 52 16 320/2	1	Is in N°15531181T
6	14231230D	DEFLECTOR	1	Is in N°15531181T
7	15032791Q	SPACER 27 34 5PPE	1	Is in N°15531181T
8	15032711D	GEAR - FW PUMP 6M26	1	Is in N°15531181T
9	15032780D	SPACER	1	Is in N°15531181T
10	15033420Z	SHIM - ADJUSTING 30 25.1 PELABL	1	Is in N°15531181T
11	77830490J	RL CON 25 52 19,25 32205B	1	Is in N°15531181T
12	77890140W	LOCK WASHER 25 32 1,25	1	Is in N°15531181T
13	77880140B	NUT	1	Is in N°15531181T
14	15034340Z	COVER	1	Is in N°15531181T
15	77700722G	INTERBAGUE 32 57 7 MAT:67.0	1	Is in N°15531181T
16	77751230G	SCREW CHC 6 1.00 15 15 STAINLESS	6	Is in N°15531181T
17	15032681W	WATER PUMP WHEEL 6M26	1	Is in N°15531181T
18	77700710T	SEAL RING 32 54 15 CYCLAM	1	Is in N°15531181T
19	14231240P	WASHER 16,2 30 4	1	Is in N°15531181T
20	77723160W	NUT	1	Is in N°15531181T
21	77723060M	NUT NYLSTOP	6	Is in N°15531181T

22	77713890V	O RING 174,5 3 NITR	1	Is in N°15531181T
23	15032100P	COCK 14X150 PERCE 5	1	Is in N°15531181T
24	77707540S	COPPER RING 14,5 17,9 1,5	1	Is in N°15531181T
-	77752080F	SCREW H 8 1.25 40 22	5	
-	15539230S	FW PUM REPAIR/SEALING KIT 6M26	-	
-	15539420Z	FW PUMP GASKET KIT 6M26	-	



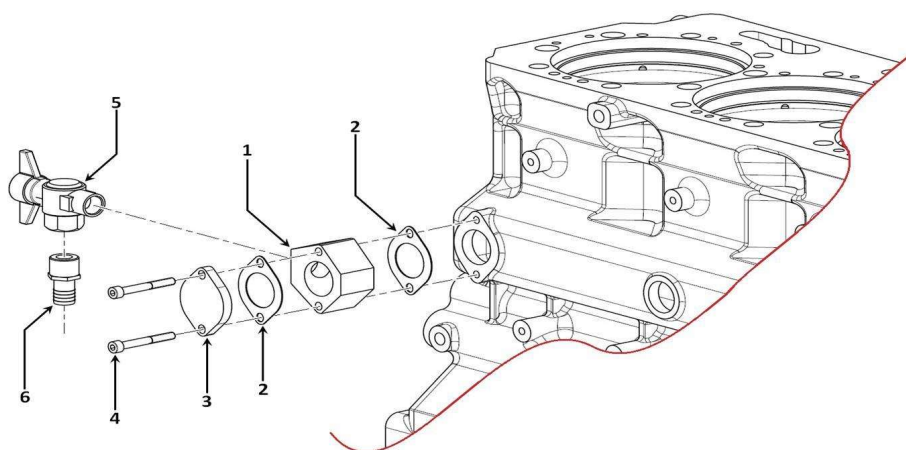
Rep	Reference	Description	Qty	Remarks
1	15531680L	RW PUMP ASS. 32m3 F&P	1	Kit containing:
-	15539380F	RW PUMP SEALING KIT 6M26 SRP-P3	1	Is in N°15531680L / Kit containing:
2	15041080A	O RING 63 4 NITR	2	Is in N°15531680L & in N°15539380F
3	77711400N	O RING 55 3,55 VITO	2	Is in N°15531680L & in N°15539380F
4	15039390N	CENTERING PIN	2	Is in N°15531680L & in N°15539380F
5	15039400Z	O RING	1	Is in N°15531680L & in N°15539380F
6	15039410K	SEAL RING	1	Is in N°15531680L & in N°15539380F
7	15039420W	RING + INTERRING RW PUMP 6M26	1	Is in N°15531680L & in N°15539380F
8	15039430G	DEFLECTOR	1	Is in N°15531680L & in N°15539380F
9	15039440S	NUT	1	Is in N°15531680L & in N°15539380F
-	15539390R	KIT ROULEMT PPE EB 6M26 SRP-P3	1	Is in N°15531680L / Kit containing:
10	15039450D	ROULEMENT PPE EB 6M26 SRP-P3	2	Is in N°15531680L & in N°15539390R
11	15039460P	CIRCLIP	1	Is in N°15531680L & in N°15539390R
12	15039470A	SPACER	1	Is in N°15531680L & in N°15539390R
13	15039480L	SEAL RING	1	Is in N°15531680L & in N°15539390R
-	15539400C	KIT ROUET PPE EB 6M26 SRP-P3	1	Is in N°15531680L / Kit containing:
9	15039440S	NUT	1	Is in N°15531680L & in N°15539400C
5	15039400Z	O RING	1	Is in N°15531680L & in N°15539400C
14	15039490X	DEMI FLASQU PPE EB 6M26 SRP-P3	1	Is in N°15531680L & in N°15539400C
15	15039500H	DEMI FLASQU PPE EB 6M26 SRP-P3	1	Is in N°15531680L & in N°15539400C
16	15039510T	ROUET PPE EB 6M26 SRP-P3	1	Is in N°15531680L & in N°15539400C

17	15035410M	RW PUMP FLANGE	2
18	77753190M	SCREW CHC 10 1.50 35 35 12.9	4
19	77753300G	SCREW CHC	4
20	15035420Y	CONNECTING PIPE	1
21	15035371V	ELBOW	1
22	77753300G	SCREW CHC	1
23	77711960X	O RING 54 3,55 NITR	1
24	77733370T	PLUG 1/4 GAZ STHC BRASS	1
25	15020960F	GEAR - 20 TEETH	1
26	15031230T	ANODE - ZINC	1
27	77707630Q	GASKET	1
28	14400122G	NUT NYLSTOP M10 P 10	1
29	77772080V	STUD 10(15. 10.20)	1
30	77790200Q	NUT H 8	6
31	77771230W	STUD 8(20. 13.12)	6
32	15035380E	DIAPHRAGME 45 24 20	1
33	16021610T	WASHER 8,2 28 4	1
34	77752040M	SCREW H8 1.25 25 25	1

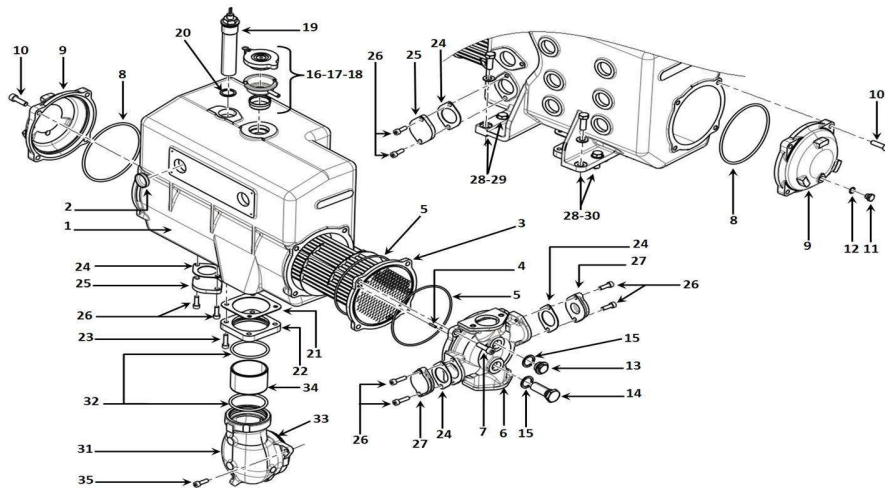


Rep	Reference	Description	Qty	Remarks
1	15531680L	RW PUMP ASS. 32m3 F&P	1	Kit containing:
-	15539380F	RW PUMP SEALING KIT 6M26 SRP-P3	1	Is in N°15531680L / Kit containing:
2	15041080A	O RING 63 4 NITR	2	Is in N°15531680L & in N°15539380F
3	77711400N	O RING 55 3,55 VITO	2	Is in N°15531680L & in N°15539380F
4	15039390N	CENTERING PIN	2	Is in N°15531680L & in N°15539380F
5	15039400Z	O RING	1	Is in N°15531680L & in N°15539380F
6	15039410K	SEAL RING	1	Is in N°15531680L & in N°15539380F
7	15039420W	RING + INTERRING RW PUMP 6M26	1	Is in N°15531680L & in N°15539380F
8	15039430G	DEFLECTOR	1	Is in N°15531680L & in N°15539380F
9	15039440S	NUT	1	Is in N°15531680L & in N°15539380F
-	15539390R	KIT ROULEMT PPE EB 6M26 SRP-P3	1	Is in N°15531680L / Kit containing:
10	15039450D	ROULEMENT PPE EB 6M26 SRP-P3	2	Is in N°15531680L & in N°15539390R
11	15039460P	CIRCLIP	1	Is in N°15531680L & in N°15539390R
12	15039470A	SPACER	1	Is in N°15531680L & in N°15539390R
13	15039480L	SEAL RING	1	Is in N°15531680L & in N°15539390R
-	15539400C	KIT ROUET PPE EB 6M26 SRP-P3	1	Is in N°15531680L / Kit containing:
9	15039440S	NUT	1	Is in N°15531680L & in N°15539400C
5	15039400Z	O RING	1	Is in N°15531680L & in N°15539400C
14	15039490X	DEMI FLASQU PPE EB 6M26 SRP-P3	1	Is in N°15531680L & in N°15539400C
15	15039500H	DEMI FLASQU PPE EB 6M26 SRP-P3	1	Is in N°15531680L & in N°15539400C
16	15039510T	ROUET PPE EB 6M26 SRP-P3	1	Is in N°15531680L & in N°15539400C

17	15035410M	RW PUMP FLANGE	2
18	77753190M	SCREW CHC 10 1.50 35 35 12.9	4
19	77753300G	SCREW CHC	4
20	15035420Y	CONNECTING PIPE	1
21	15035370T	ELBOW	1
22	77753300G	SCREW CHC	1
23	77711960X	O RING 54 3,55 NITR	1
24	13510560R	BLIND OVAL FLANGE 70 78	1
25	13516260M	OVAL GASKET	1
26	11227680A	PLUG	1
27	77707630Q	GASKET	1
28	14400122G	NUT NYLSTOP M10 P 10	1
29	77772080V	STUD 10(15. 10.20)	1
30	77790200Q	NUT H 8	6
31	77771230W	STUD 8(20. 13.12)	6
32	15035380E	DIAPHRAGME 45 24 20	1
33	16021610T	WASHER 8,2 28 4	1
34	77752040M	SCREW H8 1.25 25 25	1
35	15020960F	GEAR - 20 TEETH	1

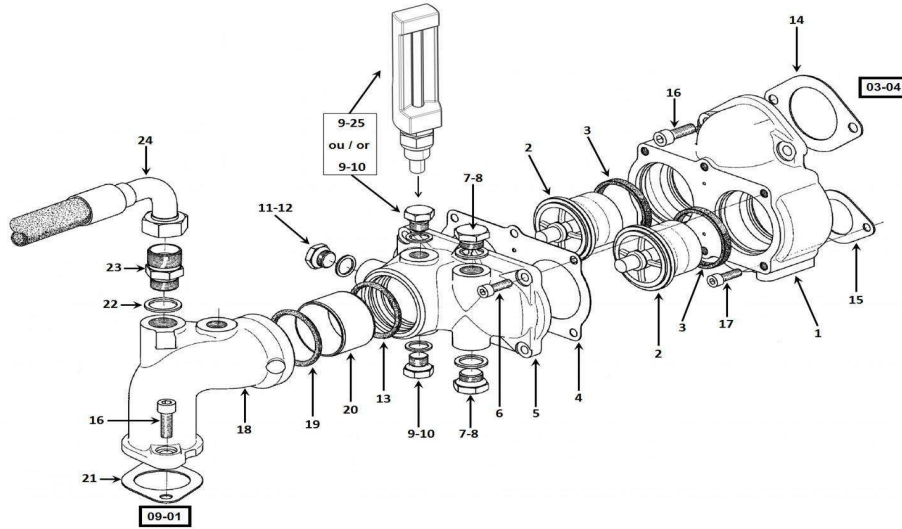


Rep	Reference	Description	Qty	Remarks
1	15035640M	SPACER	1	
2	14031820D	OVAL GASKET	2	
3	15032090D	OVAL FLANGE E 62-64 FULL STEE	1	
4	77752600W	SCREW CHC 8 1.25 65 28	2	
5	77736060S	COCK	1	
6	15035710N	END PIECE	1	



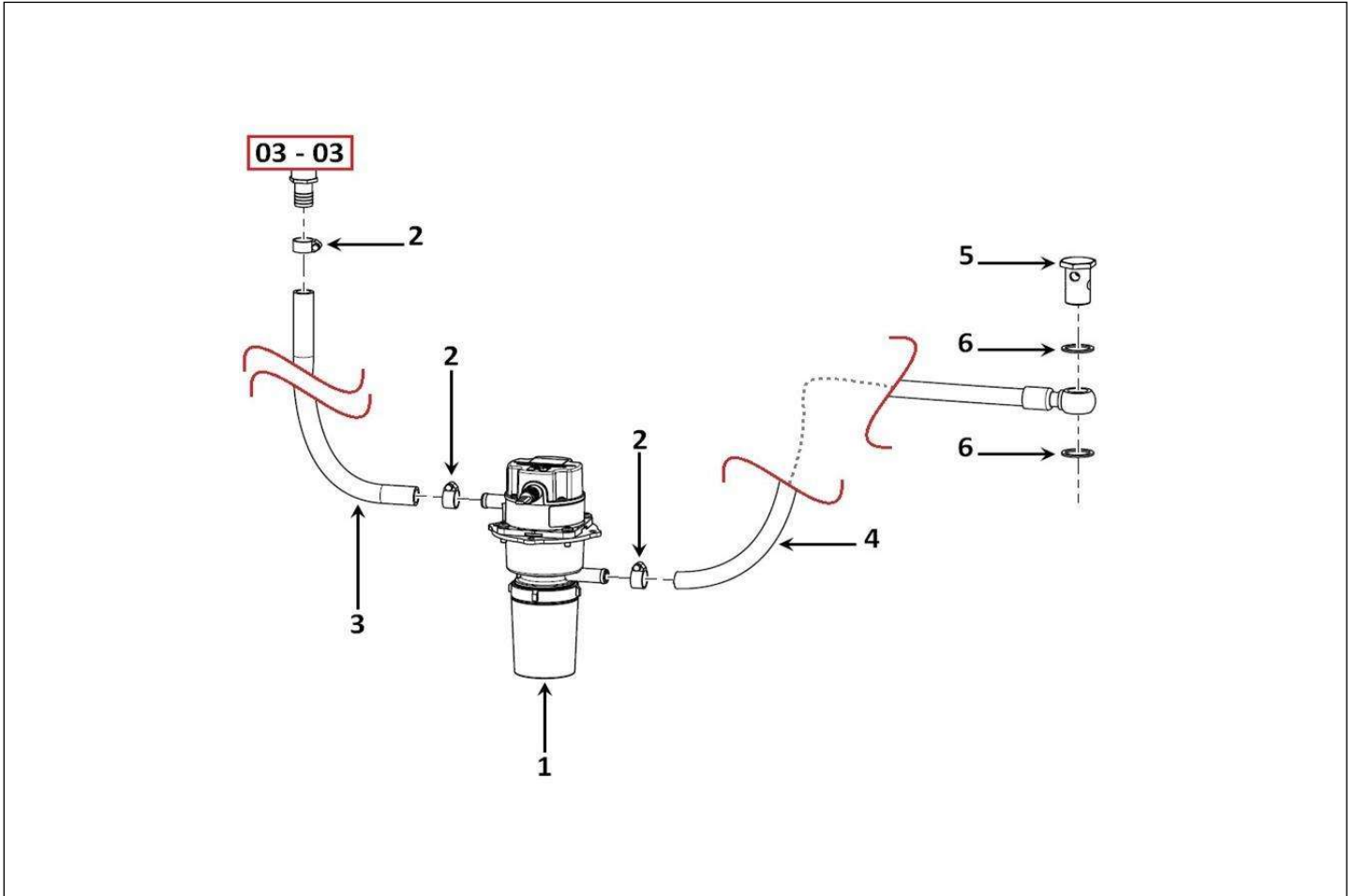
Rep	Reference	Description	Qty	Remarks
1	15531361P	ECHANGEUR PREPARE 6M26	1	Kit containing:
-	15032651N	CORPS ECHANGEUR 6M26	1	Is in N°15531361P / Kit containing:
2	77701580P	PLUG 36 STAINLESS	8	Is in N°15531361P & in N°15032651N
3	14230100A	EXCHANGER CORE	1	Is in N°15531361P
4	77707030N	MECA DOWEL PIN 4 X20	1	Is in N°15531361P
5	77711230D	O RING 158,3 3,53 NITR	2	Is in N°15531361P
6	15032890Y	CAP	1	Is in N°15531361P
7	77753450V	SCREW CHC 10 1.50 40 40 12.9	4	Is in N°15531361P
8	13502200E	LINER RING - WATER SIDE	1	Is in N°15531361P
9	14230150E	EXCHANGER CAP	1	Is in N°15531361P
10	77753190M	SCREW CHC 10 1.50 35 35 12.9	4	Is in N°15531361P
11	14230460R	PLUG 12X150 BRASS	1	Is in N°15531361P
12	77707520W	COPPER RING 12,2 15,9 1,5	1	Is in N°15531361P
13	11227680A	PLUG	1	Is in N°15531361P
14	15031230T	ANODE - ZINC	1	Is in N°15531361P
15	77707630Q	GASKET	2	Is in N°15531361P
16	77717075G	EMBASE PREPAREE AVEC RALLONGE	1	Is in N°15531361P / Kit containing:
-	77717070B	Rallonge d'embase	1	Is in N°15531361P & in N°77717075G
-	14030330J	EMBASE A RAMPE DE BOUCHON	1	Is in N°15531361P & in N°77717075G
17	14030351G	PLUG	1	Is in N°15531361P
18	14031240Y	TUBE D'EVACUATION	1	Is in N°15531361P

19	77727160T	NIVEAU D'EAU ECHANGE. NF	1	Is in N°15531361P
20	77707810L	COPPER GASKET 33,3 39 2	1	Is in N°15531361P
21	15032810L	GASKET	1	Is in N°15531361P
22	15032750W	SQUARE FLANGE 77,5 98 98	1	Is in N°15531361P
23	77752250Q	SCREW CHC 8 1.25 30 30 12.9	4	Is in N°15531361P
24	14031820D	OVAL GASKET	4	Is in N°15531361P
25	15032090D	OVAL FLANGE E 62-64 FULL STEE	2	Is in N°15531361P
26	77752240E	SCREW CHC 8 1.25 25 25 12.9	8	Is in N°15531361P
27	15033470D	TAPE PLEINE	2	Is in N°15531361P
28	77754040L	SCREW H 12 1.75 35 35	4	
29	77795430A	WASHER Z 12 U 12,5 24 2,5 CB	2	
30	14250160E	WASHER 12,2 24 4	2	
31	15032660Y	ELBOW	1	
32	77713400M	O RING 75,5 5,33 NITR	2	
33	77713440F	O RING 87,27 5,33 NITR	1	
34	15032760G	CONNECTING PIPE	1	
35	77752240E	SCREW CHC 8 1.25 25 25 12.9	3	
-	15539210W	EXCHANGER GASKET KIT 6M26	1	

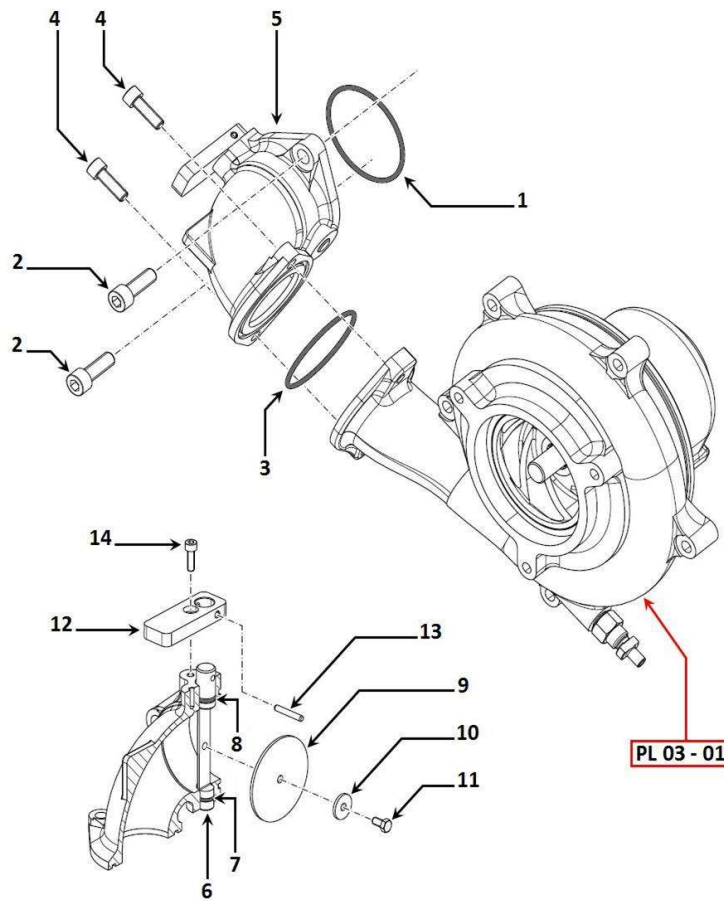


Rep	Reference	Description	Qty	Remarks
-	15531170G	HOUSING - THERMOSTAT	1	Kit containing:
1	15032690F	HOUSING - THERMOSTAT	1	Is in N°15531170G
-	15539240D	THERMOSTAT KIT 6/8/12M26	1	Is in N°15531170G / Kit containing:
2	14230430J	THERMOSTAT DB54.D13.003	2	Is in N°15531170G & in N°15539240D
3	15032070G	SEAL RING 54 68 6	2	Is in N°15531170G & in N°15539240D
4	15032770S	GASKET - THERMOSTAT HOUSING	1	Is in N°15531170G & in N°15539240D
5	15032700R	COVER - THERMOSTAT HOUSING	1	Is in N°15531170G
6	77752240E	SCREW CHC 8 1.25 25 25 12.9	6	Is in N°15531170G
7	11143060X	PLUG 1/2 GAS	2	Is in N°15531170G
8	77707700R	COPPER GASKET 21.2 27,9 1,5	2	Is in N°15531170G
9	11229450Z	PLUG 3/8 GAS BRASS	2	Is in N°15531170G
10	77707850E	COPPER GASKET 17,2 22,9 1,5	2	Is in N°15531170G
11	11230560F	PLUG 18X150 BRASS	1	Is in N°15531170G
12	77707580L	COPPER RING 18,2 23,9 1,5	1	Is in N°15531170G
13	77713360T	O RING 62,9 5,33 BUTA	1	Is in N°15531170G
14	15032820X	OVAL GASKET E100 V10 D 60 H1.5	1	
15	15032830H	OVAL GASKET E 75 V 8 D 40 H1.5	1	
16	77753300G	SCREW CHC	4	
17	77752240E	SCREW CHC 8 1.25 25 25 12.9	2	
18	15032720N	ELBOW	1	
19	77713360T	O RING 62,9 5,33 BUTA	1	

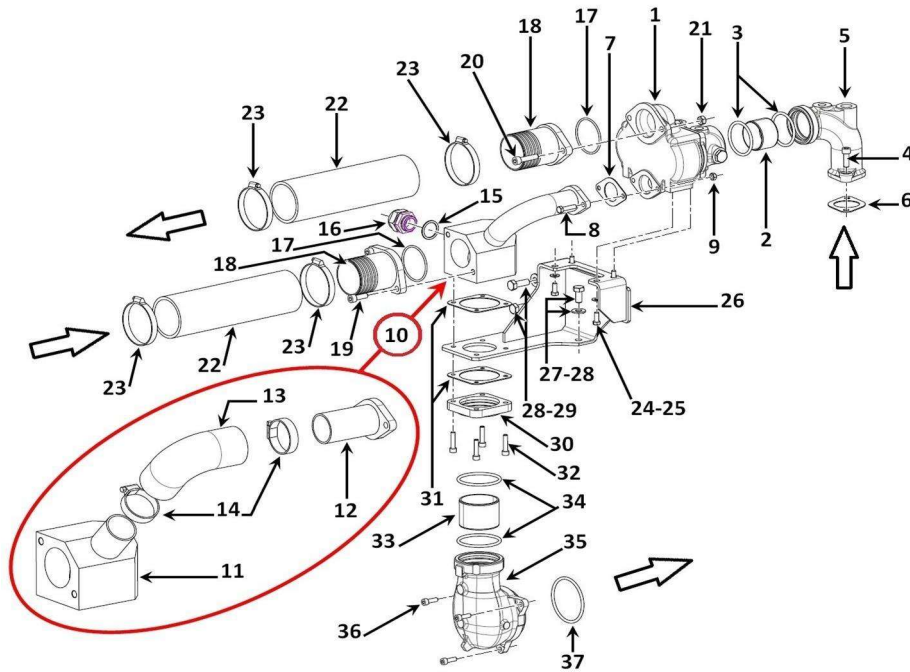
20	15032800A	CONNECTING PIPE	1
21	13616651H	OVAL GASKET E 84 V10 ELASTOMER	1
22	77707840T	COPPER GASKET 25,3 32,9 2	1
23	15101340A	FITTING 25x150 JC-30x150 60°	2
24	15102650Z	FLEXIBLE	1
25	15110100X	THERMOMETRE	1
-	15039760Q	THERM. BOX GASKET KIT	1



Rep	Reference	Description	Qty	Remarks
2	77704780S	HOSE CLIP 12- 22	4	
3	15037190X	FLEXIBLE	1	
4	15037180L	FLEXIBLE	1	
5	15101403T	HOLLOW SCREW 1"1/16 UNF	1	
6	77707600H	COPPER GASKET 22.2 28,9 1,5	2	

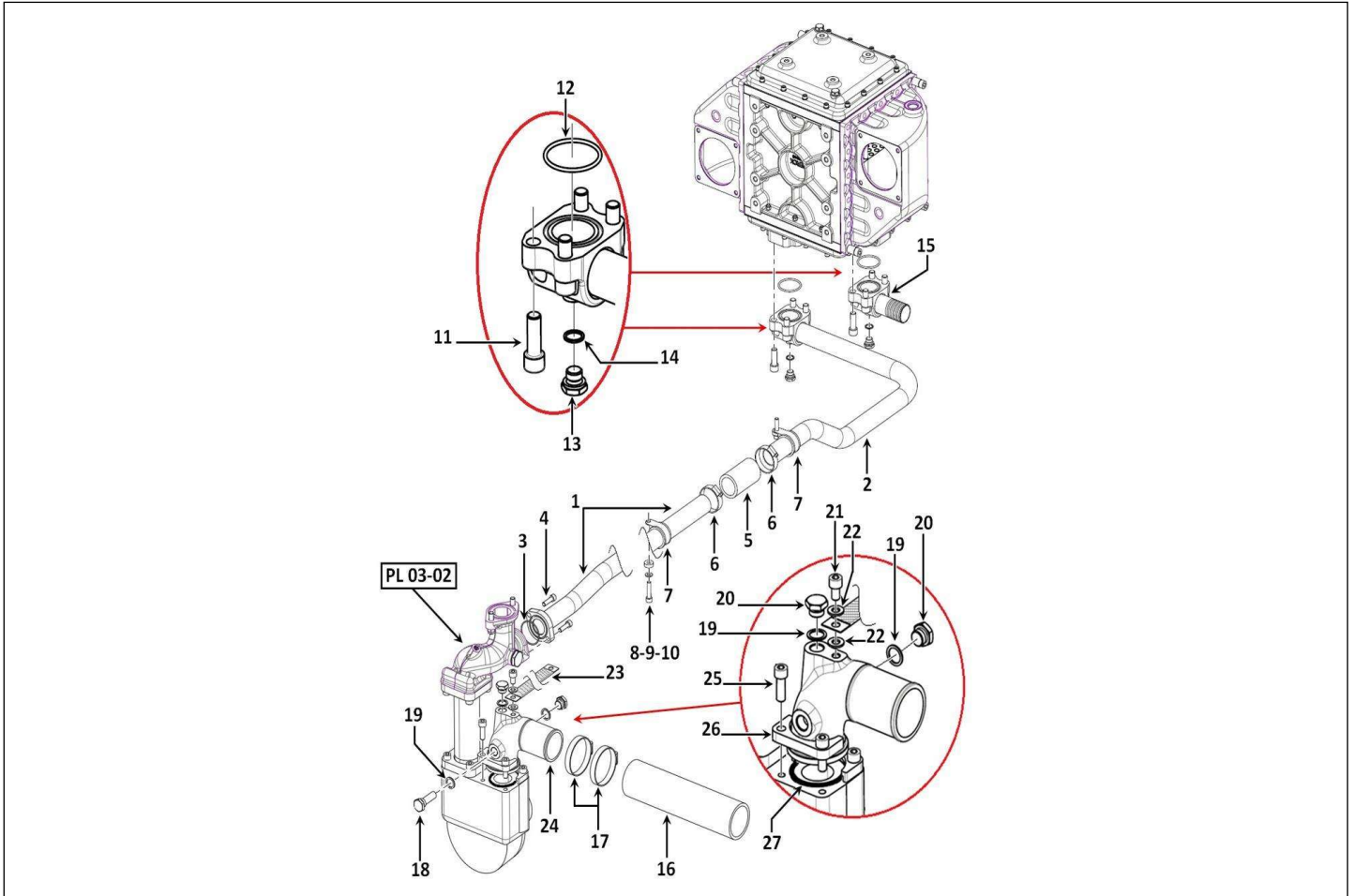


Rep	Reference	Description	Qty	Remarks
1	27554210D	O RING 68 3 VITO	1	
2	77753300G	SCREW CHC	2	
3	77711360V	O RING 65 3 NITR	1	
4	77752240E	SCREW CHC 8 1.25 25 25 12.9	2	
5	15531140Z	VANNE DE SECOURS PREPARE	1	Kit containing:
6	15033450G	THROTTLE VALVE PIN	1	Is in N°15531140Z
7	77713070D	O RING 8,9 1,9 NITR	1	Is in N°15531140Z
8	77713970G	O RING 8,9 2,7 NITR	1	Is in N°15531140Z
9	15033440W	VANNE PAPILLON	1	Is in N°15531140Z
10	16040018C	WASHER 5,5 18 2 R120	1	Is in N°15531140Z
11	77750120A	SCREW H 5 0,80 12 12 STAINLESS	1	Is in N°15531140Z
12	16040019D	LEVIER DE MANOEUVRE R120	1	Is in N°15531140Z
13	77706130K	SLINED PIN 4X26 LGC-G06	1	Is in N°15531140Z
14	77750090S	SCREW CHC 5 0.80 16 16	1	Is in N°15531140Z



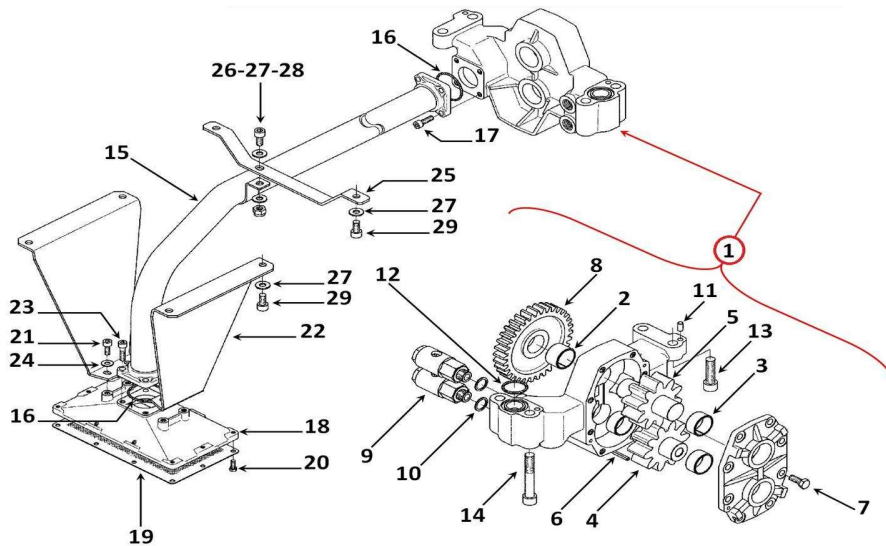
Rep	Reference	Description	Qty	Remarks
1	15531170G	HOUSING - THERMOSTAT	1	
2	15032800A	CONNECTING PIPE	1	
3	77753300G	SCREW CHC	2	
4	77753300G	SCREW CHC	2	
5	15032720N	ELBOW	1	
6	13616651H	OVAL GASKET E 84 V10 ELASTOMER	1	
7	15032830H	OVAL GASKET E 75 V 8 D 40 H1.5	1	
8	77752070V	SCREW H 8 1.25 35 22	2	
9	77790200Q	NUT H 8	2	
10	15035031A	##	1	Kit containing:
11	15036890W	##	1	Is in N°15035031A / Kit containing:
-	15035020N	BLOC/TUBULURE	1	Is in N°15035031A & in N°15036890W
-	99101970H	TUBE 45 E 2 ACTU37B EC	0,06	Is in N°15035031A & in N°15036890W
12	15036900G	OVAL FLANGE 40 30 75	1	Is in N°15035031A / Kit containing:
-	15034990F	OVAL FLANGE 40 30 75	1	Is in N°15035031A & in N°15036900G
-	99101970H	TUBE 45 E 2 ACTU37B EC	0,09	Is in N°15035031A & in N°15036900G
13	13511490C	HOSE	1	Is in N°15035031A
14	77704660M	HOSE CLIP 40- 60	2	Is in N°15035031A
15	11140200N	COPPER RING 32.3 39,9 2	1	
16	13035120J	RAC BIC CPL 32x150 SMB T28 LT	1	
17	77711490L	O RING 69,45 3,53 VITO	2	

18	15036340Y	FLANGE	2
19	37247170E	SCREW CHC 10 1.50 30 30	2
20	77753290W	SCREW CHC 10 1.50 45 32	2
21	77790300Z	NUT H 10	4
22	15036950L	HOSE	2
23	77704690V	HOSE CLIP 77- 97	4
24	77752020Q	SCREW H8 1.25 20 20	4
25	77795520Y	WASHER M 8 U 8,2 18 1,5 C	4
26	15035040K	SUPPORT - HOUSING	1
27	77754010D	SCREW H 12 1.75 25 25	1
28	77795550F	WASHER M 12 U 12,5 27 2,5	1
29	77754040L	SCREW H 12 1.75 35 35	2
30	15032750W	SQUARE FLANGE 77,5 98 98	1
31	15032810L	GASKET	2
32	77752430L	SCREW CHC 8 1.25 35 35 12.9	4
33	15032760G	CONNECTING PIPE	1
34	77713400M	O RING 75,5 5,33 NITR	2
35	15032660Y	ELBOW	1
36	77752240E	SCREW CHC 8 1.25 25 25 12.9	3
37	77713440F	O RING 87,27 5,33 NITR	1



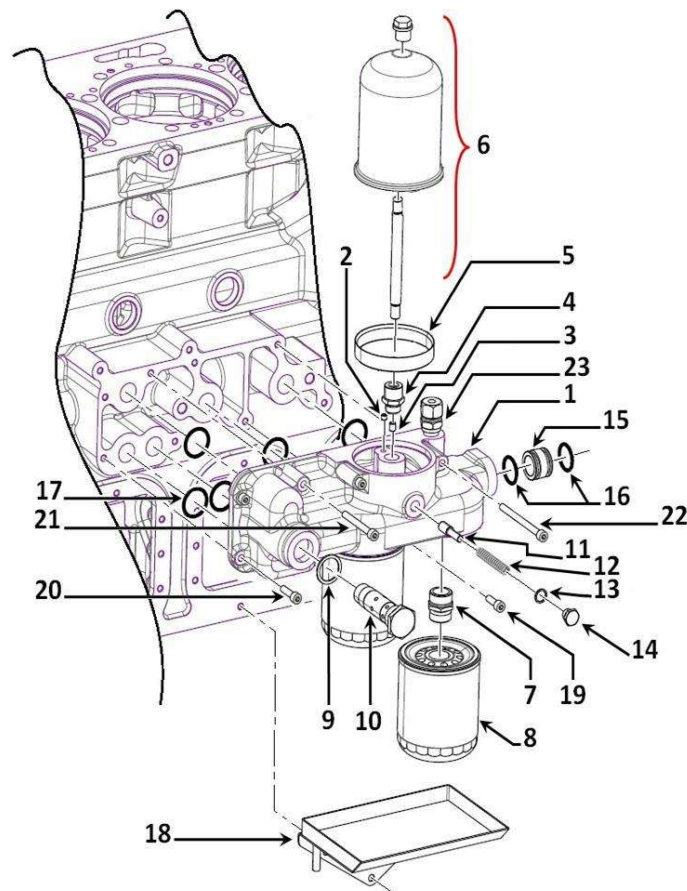
Rep	Reference	Description	Qty	Remarks
1	15036230D	TUBE LIAISON EB RAS 1/2 6M26.2	1	
2	15036470P	TUBE LIAISON EB RAS 2/2 6M26.2	1	
3	77712040J	O RING 47 x 2	1	
4	77752250Q	SCREW CHC 8 1.25 30 30 12.9	2	
5	13610290T	HOSE 38 50 85	1	
6	77704660M	HOSE CLIP 40- 60	2	
7	16040108A	HOSE CLIP	2	
8	14101400J	SPACER 8,5 20 6,5	2	
9	77752430L	SCREW CHC 8 1.25 35 35 12.9	2	
10	77795420P	WASHER Z 8 U 8,2 16 1,5	2	
11	77754500L	SCREW CHC 12 1,75 35 35	8	
12	77711980T	O RING 46 x 3	2	
13	11144230T	PLUG	2	
14	77707540S	COPPER RING 14,5 17,9 1,5	2	
15	15036360V	FLANGE	1	
16	15036940A	HOSE	1	
17	77704680J	HOSE CLIP 62- 82	2	
18	16081580D	ANODE - ZINC M18X150	1	
19	77707580L	COPPER RING 18,2 23,9 1,5	3	
20	11230560F	PLUG 18X150 BRASS	2	
21	77753700R	SCREW CHC 10 1,5 16 16 STAINLESS	1	

22	77795690H	WASHER Z10 U INOX	2
23	14400320X	Ground threaded wire	1
24	15036370F	ELBOW	1
25	77753300G	SCREW CHC	4
26	15036380R	RW SUCTION ELBOW HALFE FLANGE	2
27	77713350H	O RING 59,7 5,33 NITR	1



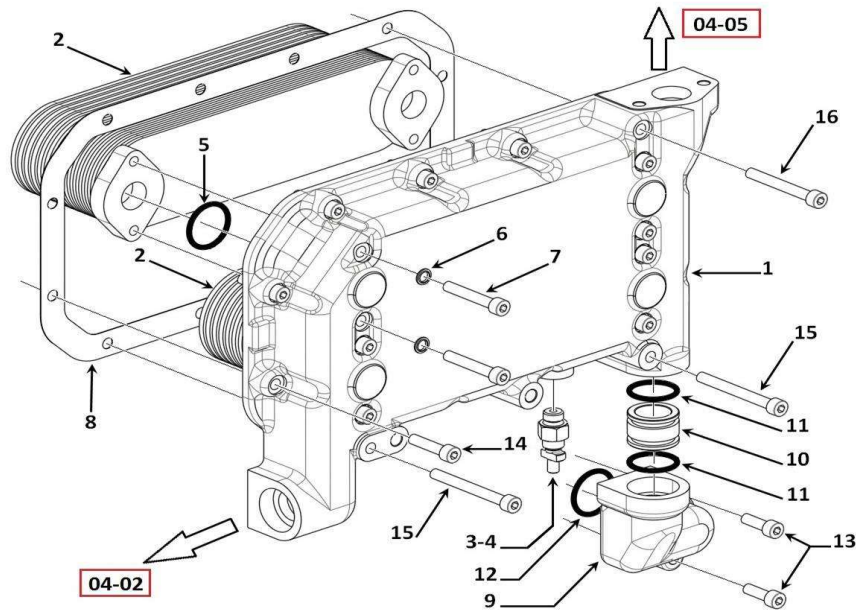
Rep	Reference	Description	Qty	Remarks
1	15540400P	OIL PUMP 6M26	1	Kit containing:
2	15040200T	OIL PUMP RING	1	Is in N°15540400P
3	15040190H	OIL PUMP RING	3	Is in N°15540400P
4	77707220V	MECA DOWEL PIN 6 X30	2	Is in N°15540400P
5	15540440H	##	1	Is in N°15540400P
6	15540450T	##	1	Is in N°15540400P
7	77753020C	SCREW H 10 1.50 25 25	8	Is in N°15540400P
8	15040100K	PIGNON ENTRAIN PPE HUIL	1	Is in N°15540400P
9	15540560N	SAFETY VALVE	2	Is in N°15540400P
10	77707590X	COPPER RING 20.2 25,9 1,5	2	Is in N°15540400P
11	14400072C	CYLINDRIC DOWEL PIN 8X16	2	
12	77713240N	O RING 32,5 3,6 VITO	1	
13	77755300F	SCREW CHC 14 2.00 50 50	2	
14	77755260M	SCREW CHC 14 2.00 90 40	2	
15	15041320L	TUBE - SUCTION	1	
16	14052910C	O RING 49,5 3 NITR	2	
17	77752240E	SCREW CHC 8 1.25 25 25 12.9	4	
18	14740050T	CREPINE ASSEMBLEE	1	Kit containing:
19	14240170W	GRILLE DE CREPINE	1	Is in N°14740050T
20	77751210K	SCREW H 6 1.00 12 12	10	Is in N°14740050T
21	77752250Q	SCREW CHC 8 1.25 30 30 12.9	4	

22	15041290D	TOLE SUPPORT DE CREPINE 6M26	2
23	77752380G	SCREW CHC 8 1.25 20 20	4
24	77795520Y	WASHER M 8 U 8,2 18 1,5 C	4
25	15041300P	TOLE SUPPORT DE TUBE 6M26	1
26	77753170Q	SCREW CHC 10 1.50 25 25	1
27	77795530J	WASHER M 10 U 10,2 22 2	8
28	14400122G	NUT NYLSTOP M10 P 10	1
29	77753270Z	SCREW CHC 10 1.50 20 20	6

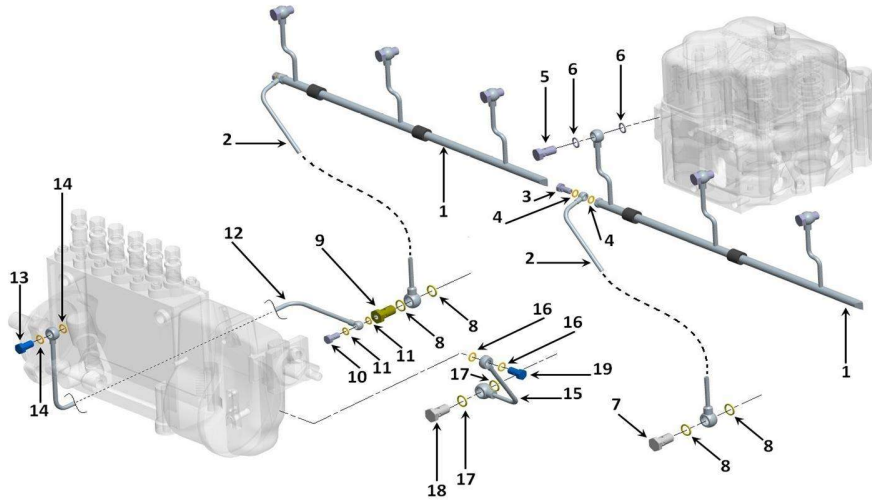


Rep	Reference	Description	Qty	Remarks
-	15540410A	OIL FILTER	1	Kit containing:
1	15041150B	SUPPORT - OIL FILTER	1	Is in N°15540410A / Kit containing:
2	77701680Y	PLUG	1	Is in N°15540410A & in N°15041150B
3	15041690N	JET	1	Is in N°15540410A
4	15041230N	SUPPORT	1	Is in N°15540410A
5	15041310A	SPACER 100,5 106 19 CEN	1	Is in N°15540410A
6	15540390D	FILTER	1	Is in N°15540410A / Kit containing:
-	15049010V	CARTRIDGE	1	Is in N°15540410A & in N°15540390D
7	15041100X	FITTING 30x150 - 1" UNF12	2	Is in N°15540410A
8	15041680C	OIL FILTER	2	Is in N°15540410A
9	14400073D	COPPER RING 30.3 37,9 2	1	Is in N°15540410A
10	15540430X	DISCHARGE VALVE	1	Is in N°15540410A
11	15041270G	TIROIR CLAPET FILTRE GLACIER	1	Is in N°15540410A
12	15041220C	SPRING 12 1,4 50 0,	1	Is in N°15540410A
13	77707540S	COPPER RING 14,5 17,9 1,5	1	Is in N°15540410A
14	14400234D	PLUG 14X150	1	Is in N°15540410A
15	15041180J	MANCHON ETANCHEITE 25 35,8 2	1	
16	77711630N	O RING 29,3 3,6 VITO	2	
17	77713240N	O RING 32,5 3,6 VITO	5	
18	15012480N	OIL PAN 6M26	1	
19	77752240E	SCREW CHC 8 1.25 25 25 12.9	1	

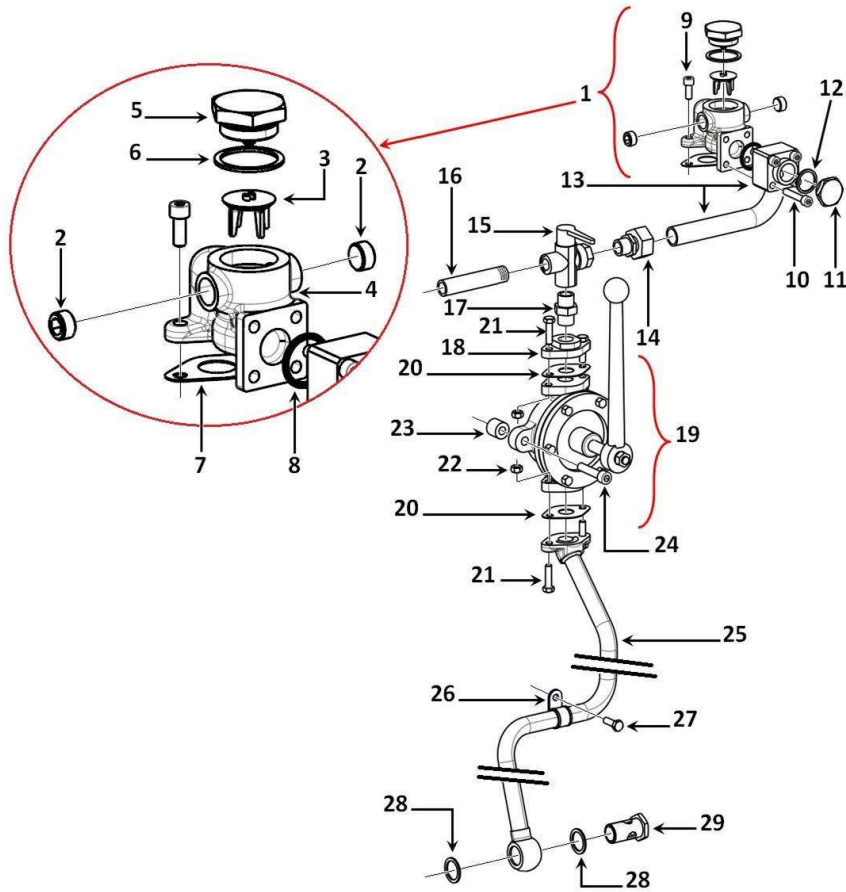
20	77752250Q	SCREW CHC	8 1.25 30 30 12.9	4
21	77752300V	SCREW CHC	8 1.25 70 28	1
22	77752630D	SCREW CHC	8 1.25 100 28	2
23	16010860J	RAC BIC CPL	20x150 4A14	1



Rep	Reference	Description	Qty	Remarks
-	15540420L	OIL COOLER 6M26	1	Kit containing:
1	15041140Q	SUPPORT	1	Is in N°15540420L
2	15540570Z	RH 6M26 L&R 15 lames	2	Is in N°15540420L
3	15032100P	COCK 14X150 PERCE 5	1	Is in N°15540420L
4	77707540S	COPPER RING 14,5 17,9 1,5	1	Is in N°15540420L
5	77713240N	O RING 32,5 3,6 VITO	4	Is in N°15540420L
6	14400103L	RING - LIPPED 8	8	Is in N°15540420L
7	77752440X	SCREW CHC 8 1.25 50 28	8	Is in N°15540420L
8	15041170Y	GASKET	1	
9	15041160M	TUBULURE DE LIAISON 6M26	1	
10	15041180J	MANCHON ETANCHEITE 25 35,8 2	1	
11	77711630N	O RING 29,3 3,6 VITO	2	
12	77713240N	O RING 32,5 3,6 VITO	1	
13	77752240E	SCREW CHC 8 1.25 25 25 12.9	2	
14	77752430L	SCREW CHC 8 1.25 35 35 12.9	9	
15	77752540F	SCREW CHC 8 1.25 75 28	2	
16	77752600W	SCREW CHC 8 1.25 65 28	1	
-	15549080Z	OIL COOLER GASKET KIT 6M26	1	

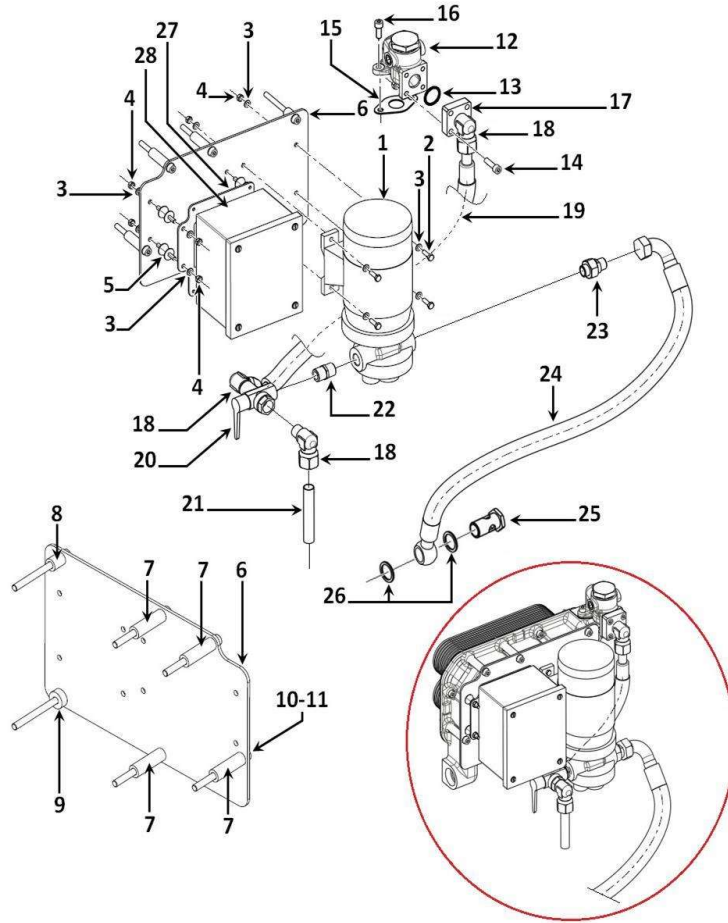


Rep	Reference	Description	Qty	Remarks
1	15040440E	RAMPE GRAIS CULBUTEURS 6	2	Is in N°-----
2	13588560Z	SUCTION PIPE	2	Is in N°-----
3	14053660S	HOLLOW SCREW	2	Is in N°-----
4	77707710C	COPPER RING 8,2 12 1	4	Is in N°-----
5	77720210P	HOLLOW SCREW 12X150 DIN7623	6	Is in N°-----
6	77707520W	COPPER RING 12,2 15,9 1,5	12	Is in N°-----
7	77720030T	HOLLOW SCREW 14X150	1	Is in N°-----
8	77707540S	COPPER RING 14,5 17,9 1,5	4	Is in N°-----
9	13506250G	HOLLOW SCREW 14X150/ 8X100	1	Is in N°-----
10	14053660S	HOLLOW SCREW	1	Is in N°-----
11	77707710C	COPPER RING 8,2 12 1	2	Is in N°-----
12	15040220Q	OIL INLET PIPE	1	Is in N°-----
13	14050370R	HOLLOW SCREW 10X100 DIN7623	1	Is in N°-----
14	77707510K	COPPER RING 10.2 14 1	2	Is in N°-----
15	15041571J	OIL RETURN PIPE	1	Is in N°-----
16	77707510K	COPPER RING 10.2 14 1	2	Is in N°-----
17	77707540S	COPPER RING 14,5 17,9 1,5	2	Is in N°-----
18	77720030T	HOLLOW SCREW 14X150	1	Is in N°-----
19	14050370R	HOLLOW SCREW 10X100 DIN7623	1	Is in N°-----



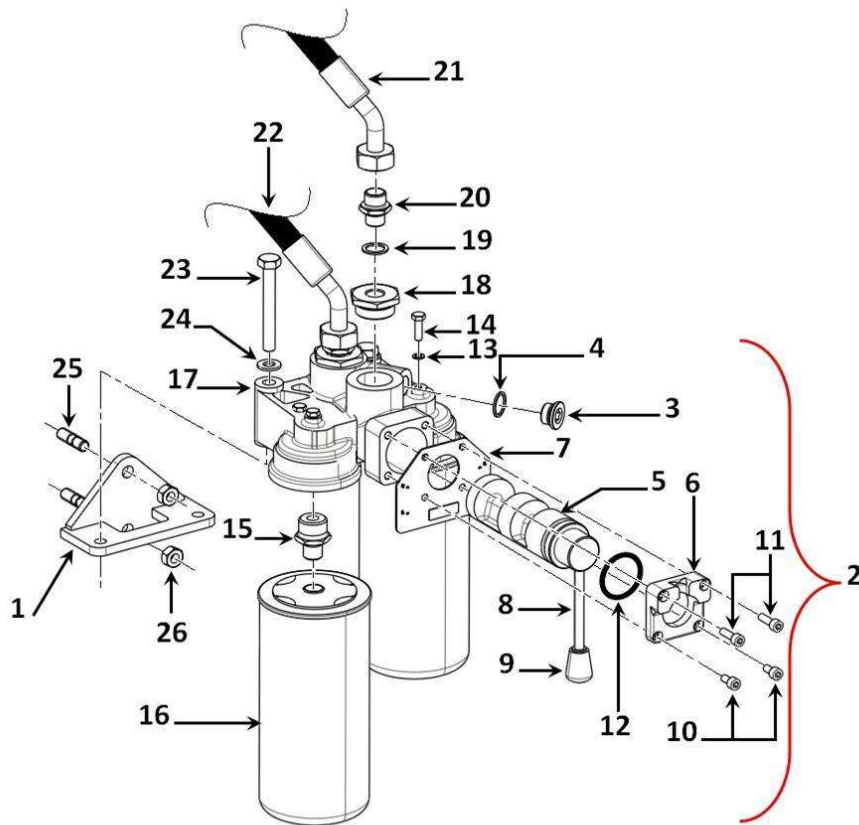
Rep	Reference	Description	Qty	Remarks
1	13583790P	HOUSING	1	Kit containing:
2	11114710G	PLUG - CONICAL 18X150 BRASS	2	Is in N°13583790P
3	13504670P	VALVE	1	Is in N°13583790P
4	13514010R	NON-RETURN VALVE CASE	1	Is in N°13583790P
5	13584180N	PLUG 38X150	1	Is in N°13583790P
6	77707870B	COPPER RING 38,3 45,9 2	1	Is in N°13583790P
7	13614100K	OVAL GASKET E 60 ELASTOMERE	1	
8	77713220R	O RING 29,3 3,6 NITR	1	
9	77752380G	SCREW CHC 8 1.25 20 20	2	
10	77752410P	SCREW CHC 8 1.25 45 28 CB	4	
11	13601280A	PLUG 3/4 STEEL	1	
12	77707780D	COPPER RING 26.3 31,9 2	1	
13	15041260W	TUBE REFOULEMENT PPE JAPY 6M26	1	
14	77718890E	RAC BIC CPL 1/2 GCO 4A25	1	
15	77718910B	COCK	1	
16	15040760C	Drain manifold	1	
17	77718900Q	FITTING 1/2 GCO -1/2 GCO AFY	1	
18	13617120S	OVAL FLANGE E 54 1/2Gaz JAPY	1	
19	77717510E	Pump	1	Kit containing:
20	11204940H	OVAL GASKET	2	Is in N°77717510E
21	77752050Y	SCREW H8 1.25 30 22	4	Is in N°77717510E

22	77790200Q	NUT H 8	4	Is in N°77717510E
23	15041240Z	SPACER	2	
24	77753070G	SCREW H 10 1.50 50 26	2	
25	15041251L	TUBE - SUCTION	1	
26	14102080Y	HOSE CLIP	1	
27	77752040M	SCREW H8 1.25 25 25	1	
28	77707840T	COPPER GASKET 25,3 32,9 2	2	
29	77720220A	HOLLOW SCREW 25X150	1	



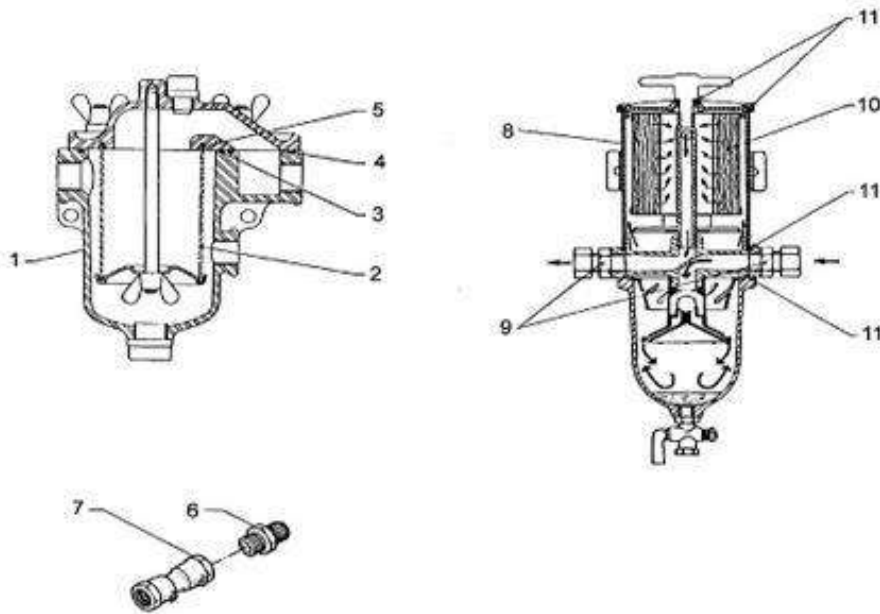
Rep	Reference	Description	Qty	Remarks
1	15042100J	ELECTROPOMPE G&R IN12 24v	1	
2	77751350M	SCREW H 6 1.00 20 20	4	
3	77795720Q	WASHER Z 6 INOX	16	
4	77791310X	NUT H 6 STAINLESS	12	
5	77716800H	RUBBER BLOCK	4	
6	15042460A	SUPPORT	1	
7	15041890F	SPACER 9 15.8 50.5	4	
8	15042480X	SPACER	1	
9	15042470L	SPACER	1	
10	77753710C	SCREW CHC 8 1.25 90 36 STAINLESS	6	
11	77795700T	WASHER Z 8 U 8.2 16 1.5 IN	6	
12	13583790P	HOUSING	1	
13	77713220R	O RING 29,3 3,6 NITR	1	
14	77752760V	SCREW CHC 8 1.25 30 30 STAINLESS	4	
15	13614100K	OVAL GASKET E 60 ELASTOMERE	1	
16	77752380G	SCREW CHC 8 1.25 20 20	2	
17	15042550Y	SQUARE FLANGE	1	
18	77718880T	Link assembly	3	
19	15042491J	FLEXIBLE	1	
20	77718910B	COCK	1	
21	15042570V	##	1	

22	15042250X	FITTING	1	
23	15042500T	TUBE - SUCTION	1	Kit containing:
24	77736310P	##	1	Is in N°15042500T
25	77720220A	HOLLOW SCREW 25X150	1	
26	77707840T	COPPER GASKET 25,3 32,9 2	2	
27	15112070N	TOLE SUPPORT BOITIER ELEC	1	
28	77740302D	WIRING HARNESS	1	

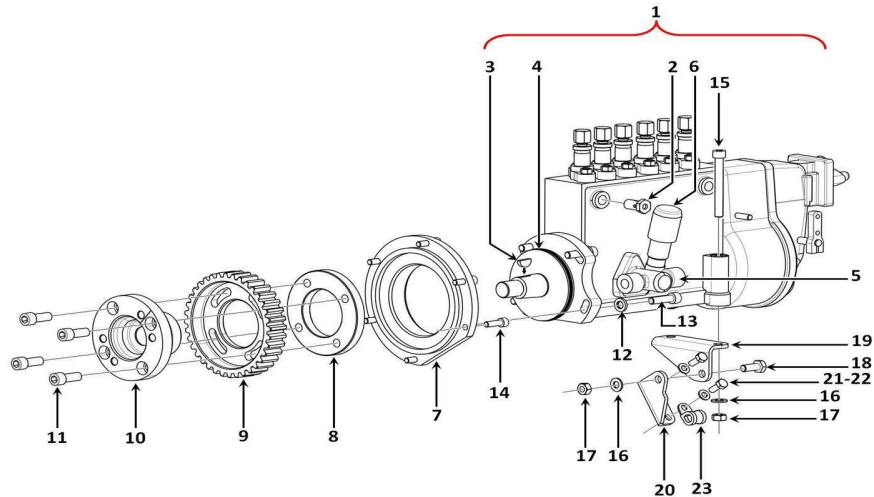


Rep	Reference	Description	Qty	Remarks
1	15050510A	SUPPORT	1	
2	15550400J	FUEL FILTER 6S111SGE	1	Kit containing:
3	14400078J	PLUG 18X150 STEEL	1	Is in N°15550400J
4	77707900J	COPPER RING 18,2 22 1,5	1	Is in N°15550400J
5	15050550T	BUSHEL - DOUBLE FILTER	1	Is in N°15550400J
6	15050560E	Head flange filter	1	Is in N°15550400J
7	15050570Q	PLATE - INSTRUCTION	1	Is in N°15550400J
8	15050590M	Filter control shaft	1	Is in N°15550400J
9	77717040T	BALL 0830106 6X100	1	Is in N°15550400J
10	77751120M	SCREW CHC 6 1.00 16 16	2	Is in N°15550400J
11	77751240S	SCREW CHC 6 1.00 25 25	2	Is in N°15550400J
12	77713260K	O RING 35,6 3,6 NITR	1	Is in N°15550400J
13	77707830H	COPPER RING 6,2 10 1	4	Is in N°15550400J
14	77751250D	SCREW H6 1.00 10 10	4	Is in N°15550400J
15	15050620V	FITTING 16x150 JC-24x150 JC	2	Is in N°15550400J
16	15050630F	FUEL FILTER	2	Is in N°15550400J
17	15050641S	TETE FILTRE COMBUS.DBLE MANN	1	Is in N°15550400J
18	15050610J	BORED PLUG 30X150 16X1,50	2	Is in N°15550400J
19	14400191G	COPPER RING 16.2 21,9 1,5	2	
20	77719430R	FITTING 16x150 10JC-18x150 12JC	2	
21	77717851A	FLEXIBLE	1	

22	77717862M	FLEXIBLE	1
23	77753110A	SCREW H 10 1.50 80 26	2
24	77795580N	Washer	4
25	77772040B	STUD 10(16. 07.12) FR	2
26	77790300Z	NUT H 10	2

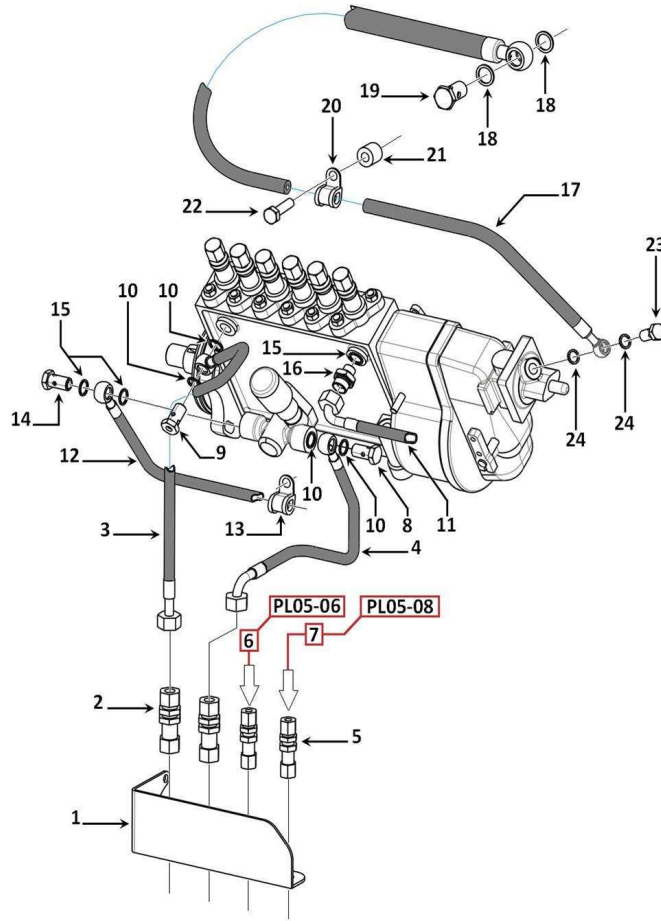


Rep	Reference	Description	Qty	Remarks
1	77728650N	PRE-FILTRE RELLUMIX	1	
2	77728660Z	PANIER DE RECHANGE	1	
3	77728670K	COVER GASKET	1	
4	77728680W	GASKET	1	
5	77728690G	GASKET	2	
6	77729520J	FITTING 1" GCO -1" GCO AFY	1	
7	77729040M	NON RETURN VALVE TJ 1"9	1	
8	15559430Z	OIL FILTER	1	
9	77729720B	RAC BIC CPL 22x150 4A18	2	
10	77728840V	CARTRIDGE W/GASKET	1	
11	77728841W	PJ CARTOUCHE RACOR 900MAG	1	



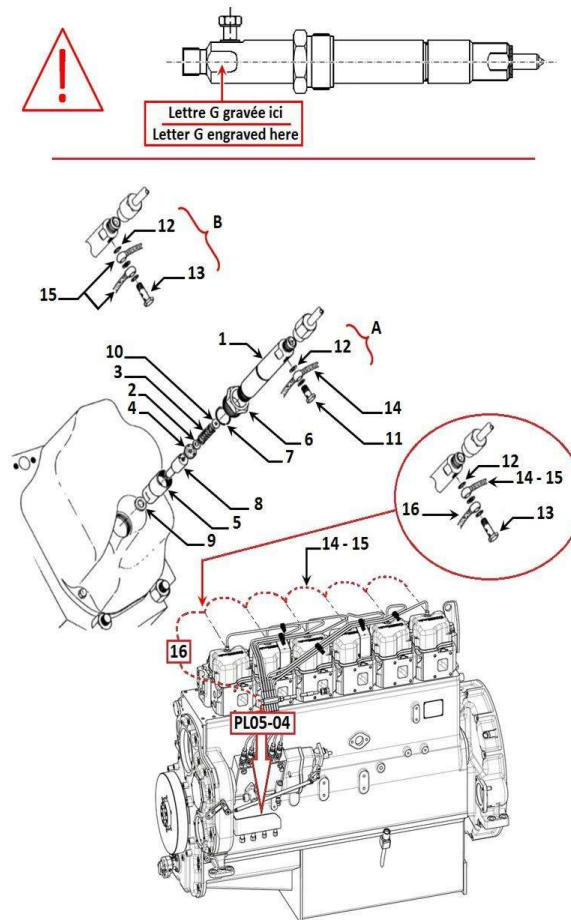
Rep	Reference	Description	Qty	Remarks
1	15551723X	INJECTION PUMP 6M26 LDA 1800 + RW	1	Kit containing:
2	15058260Z	DELIVERY VALVE	1	Is in N°15551723X
3	77704260C	WOODRUFF KEY 5 9 PPE BO	1	Is in N°15551723X
4	15058100A	O RING	1	Is in N°15551723X
5	15058430J	PPE ALIMENT. FP/KG24P307	1	Is in N°15551723X / Kit containing:
6	15058440V	HAND PUMP 6M26/6R120	1	Is in N°15551723X & in N°15058430J
7	15051990J	FLANGE	1	
8	15052010F	WASHER 72 128 14	1	
9	15052020R	GEAR - INJ. PUMP	1	
10	15052000V	MOYEU DE POMPE D INJECTION	1	
11	77754400C	SCREW CHC 12 1.75 30 30 12.9	4	
12	14052420V	WASHER 10,25 20 3 CB	4	
13	77753190M	SCREW CHC 10 1.50 35 35 12.9	4	
14	77752240E	SCREW CHC 8 1.25 25 25 12.9	6	
15	77753260N	SCREW CHC 10 1.50 90 32	2	
16	77795580N	Washer	3	
17	77790300Z	NUT H 10	3	
18	77753020C	SCREW H 10 1.50 25 25	1	
19	15052050Z	ANGLE BRACKET	1	
20	15052060K	TOLE MAINTIEN POMPE INJECT.	1	
21	77752020Q	SCREW H8 1.25 20 20	2	

22	77795420P	WASHER Z 8 U 8,2 16 1,5	2
23	16010721H	HOSE CLIP	1



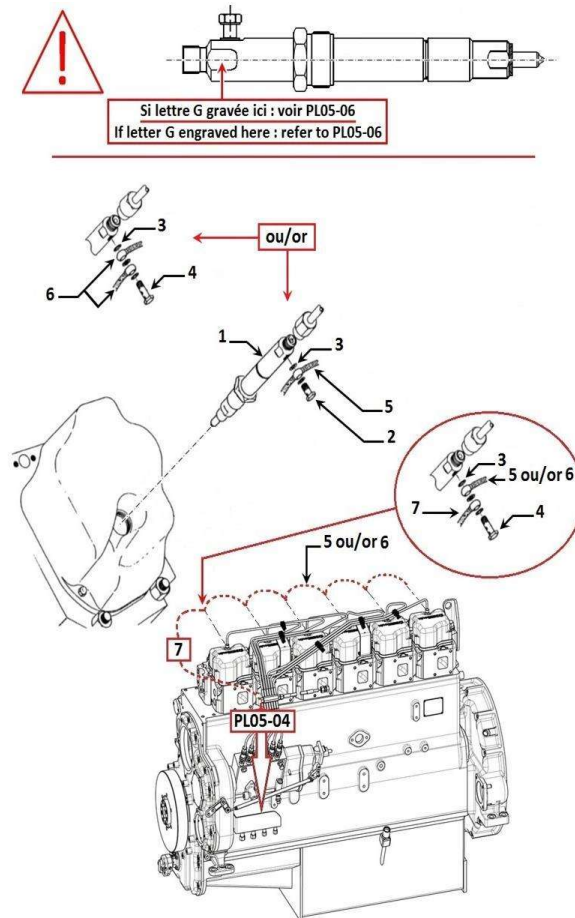
Rep	Reference	Description	Qty	Remarks
1	15052830X	SUPPORT	1	Is in N°16010721H
2	15052820L	union	2	Is in N°16010721H
3	15052800P	FLEXIBLE	1	Is in N°16010721H
4	15052790D	FLEXIBLE	1	Is in N°16010721H
5	15052780S	union	2	Is in N°16010721H
6	15052860E	CONNECTIN HOSE	1	Is in N°16010721H
7	15052770G	FLEXIBLE	1	Is in N°16010721H
8	77720030T	HOLLOW SCREW 14X150	1	Is in N°16010721H
9	15058260Z	DELIVERY VALVE	1	Is in N°16010721H
10	77707540S	COPPER RING 14,5 17,9 1,5	4	Is in N°16010721H
11	77717851A	FLEXIBLE	1	Is in N°16010721H
12	77717862M	FLEXIBLE	1	Is in N°16010721H
13	16010721H	HOSE CLIP	1	Is in N°16010721H
14	77720030T	HOLLOW SCREW 14X150	1	Is in N°16010721H
15	77707540S	COPPER RING 14,5 17,9 1,5	3	Is in N°16010721H
16	16040125T	FITTING 14x150 60°JC-18x150 60°JC	1	Is in N°16010721H
17	15052481S	FLEXIBLE	1	Is in N°16010721H
18	77707580L	COPPER RING 18,2 23,9 1,5	2	Is in N°16010721H
19	77720090J	HOLLOW SCREW 18X150 DIN7623	1	Is in N°16010721H
20	77704980K	HOSE CLIP	2	Is in N°16010721H
21	15041240Z	SPACER	2	Is in N°16010721H

22	77753060W	SCREW H 10 1.50 45 26	2	Is in N°16010721H
23	77720210P	HOLLOW SCREW 12X150 DIN7623	1	Is in N°16010721H
24	77707520W	COPPER RING 12,2 15,9 1,5	2	Is in N°16010721H

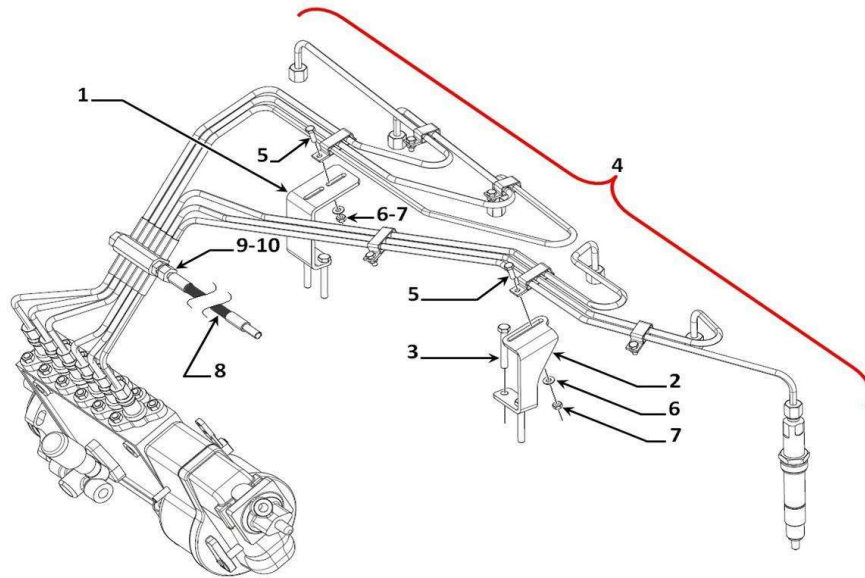


Rep	Reference	Description	Qty	Remarks
1	15551941J	INJECTOR HOLDER ASSEMBLY	6	Kit containing:
2	15059380R	Spring retainer	1	Is in N°15551941J
3	15059390C	SPRING	1	Is in N°15551941J
4	15059400N	INJECTOR RETAINER	1	Is in N°15551941J
5	15059410Z	INJECTOR NUT	1	Is in N°15551941J
6	15059420K	INJECTOR HOLDER NUT	1	Is in N°15551941J
7	15059430W	SNAP RING	1	Is in N°15551941J
8	15053141K	INJECTOR	1	Is in N°15551941J
9	77707750W	COPPER RING	1	Is in N°15551941J
10	13055040L	Shim set	1	Is in N°15551941J
11	14053660S	HOLLOW SCREW	1	Is in N°15551941J
12	77707710C	COPPER RING 8,2 12 1	2	Is in N°15551941J
12	77707710C	COPPER RING 8,2 12 1	6	
13	12430650B	HOLLOW SCREW	6	
14	15053500A	##	1	
15	15053480D	##	5	
12	77707710C	COPPER RING 8,2 12 1	3	
13	12430650B	HOLLOW SCREW	1	
16	15052770G	FLEXIBLE	1	
-	13055040L	Shim set	2	
-	15559260P	ROCKER ARM/INJ. GASKET KIT	1	

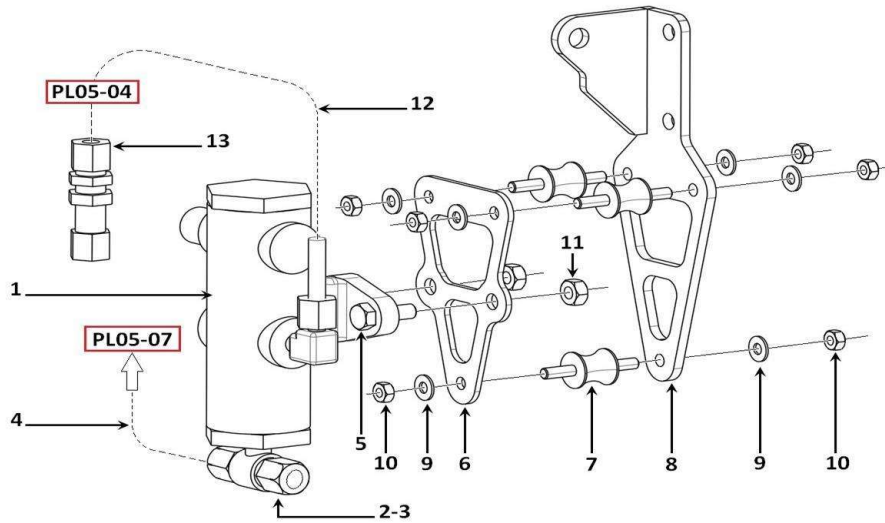
-	15189180D	WRENCH - INJ. POSIT.	-
-	15189220X	WRENCH - INJ. HOLDER	-



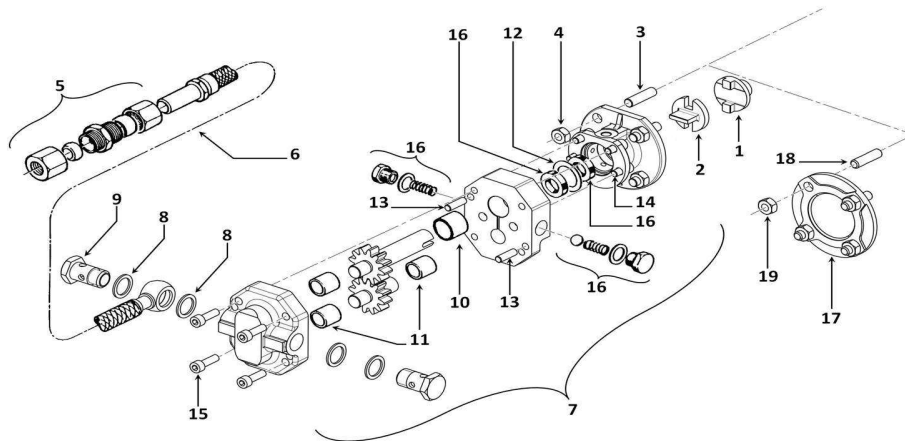
Rep	Reference	Description	Qty	Remarks
1	15053690G	INJECTOR HOLDER CW M26.2	6	Kit containing:
2	14053660S	HOLLOW SCREW	1	Is in N°15053690G
3	77707710C	COPPER RING 8,2 12 1	2	Is in N°15053690G
3	77707710C	COPPER RING 8,2 12 1	6	
4	12430650B	HOLLOW SCREW	6	
5	15053500A	##	1	
6	15053480D	##	5	
3	77707710C	COPPER RING 8,2 12 1	3	
4	12430650B	HOLLOW SCREW	1	
7	15052770G	FLEXIBLE	1	



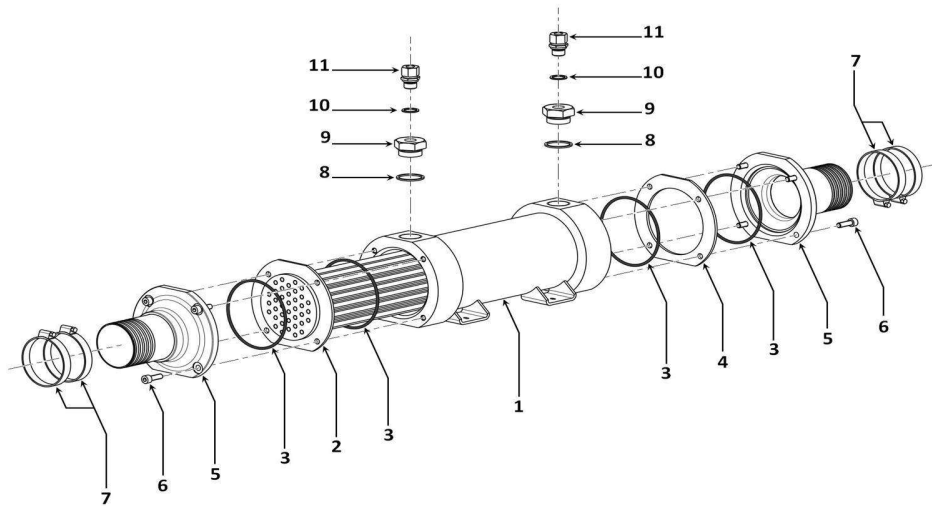
Rep	Reference	Description	Qty	Remarks
1	13514761H	TOLE SUPPORT TUB INJECT	1	
2	15052550S	SUPPORT	1	
3	77752120Z	SCREW H 8 1.25 60 22	4	
4	15551630W	NAPPE PROTEGEE 6M26SR	1	
5	77751010S	SCREW H 6 1.00 15 15	2	
6	77795560R	WASHER L 6 N 7 18 1,2	2	
7	77723050B	NUT NYLSTOP M 6 P 08	2	
8	15053290X	FLEXIBLE	1	
9	14054420T	NUT 2A10 16x150	1	
10	14054430E	BICONICAL RING 1A10	1	



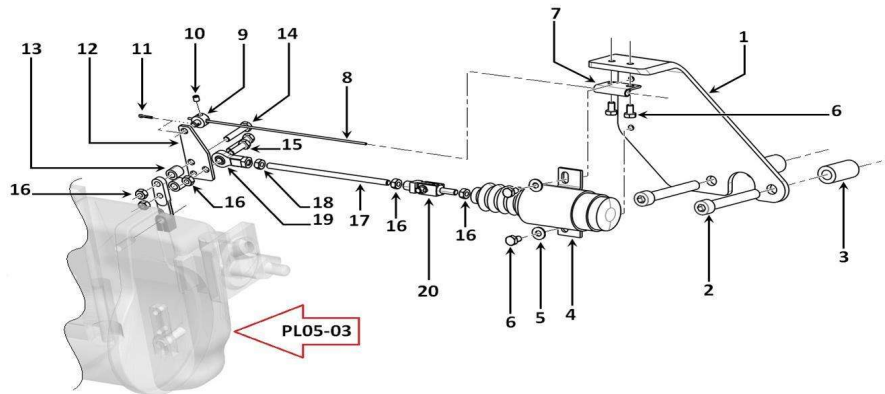
Rep	Reference	Description	Qty	Remarks
1	77728440K	Leak recuperator box	1	
2	77729940Q	BICONICAL RING 1DL8	2	
3	77729950B	NUT	2	
4	15053290X	FLEXIBLE	1	
5	77752350Z	SCREW H 8 1.25 25 20 STAINLESS	2	
6	15052570P	Plate	1	
7	77716800H	RUBBER BLOCK	3	
8	15052560D	SUPPORT	1	
9	77720810R	WASHER SCHNORR S 6 6,4 1	6	
10	77791310X	NUT H 6 STAINLESS	6	
11	77791430C	NUT H 8 STAINLESS	2	
12	15052770G	FLEXIBLE	1	
13	15052780S	union	1	



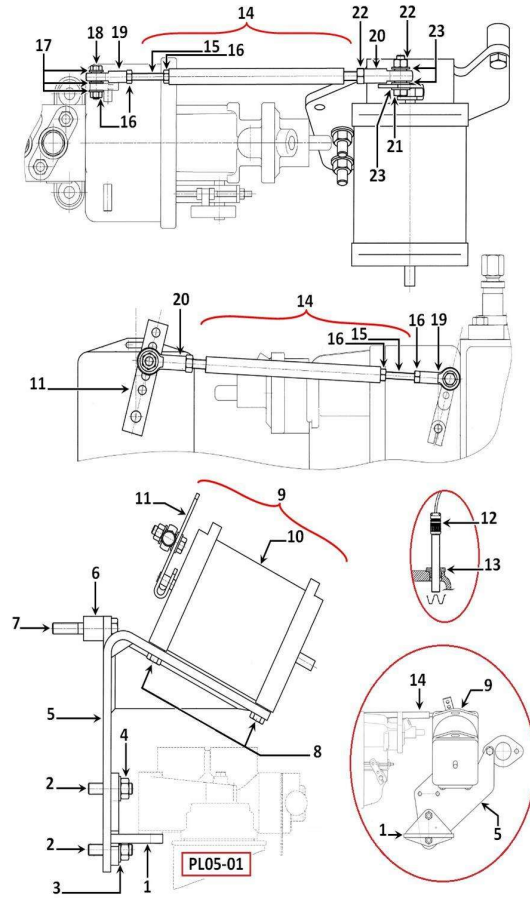
Rep	Reference	Description	Qty	Remarks
1	15050210Z	SCREW	1	
2	14052300P	CROISSILLON ENTR PPE TRANS	1	
3	77771210Z	STUD 8(10. 05.15)	4	
4	77790200Q	NUT H 8	4	
5	14400120E	RAC BIC DBLE 12 3A12	1	
6	15050160V	FLEXIBLE	1	
7	15550220N	PUMP	1	Kit containing:
-	15550680N	FUEL PUMP	1	Is in N°15550220N
8	14400191G	COPPER RING 16.2 21,9 1,5	4	Is in N°15550220N
9	27210720V	HOLLOW SCREW 16X150 DIN7623	2	Is in N°15550220N
10	11213961N	RING 16x18x15 type DU	1	Is in N°15550220N
11	15050200N	RING 12 14 15	3	Is in N°15550220N
12	15050080H	WASHER 18 31 1	1	Is in N°15550220N
13	77707250C	MECA DOWEL PIN 6 X20	2	Is in N°15550220N
14	77751120M	SCREW CHC 6 1.00 16 16	4	Is in N°15550220N
15	77751240S	SCREW CHC 6 1.00 25 25	4	Is in N°15550220N
16	13055870N	FUEL PUMP REPAIR KIT	1	
17	14011560G	TAPE	1	
18	77771030D	STUD 8(12. 02.16)	4	
19	77790200Q	NUT H 8	4	



Rep	Reference	Description	Qty	Remarks
1	27681370W	CORPS DE RHR IRB-ERB	1	
2	27681400D	FAISCEAU RHR IRB-ERB	1	
3	77711930P	O RING 110,72 3,53 NITR	4	
4	27681410P	SPACER	1	
5	15551780J	CAP	2	
6	77752240E	SCREW CHC 8 1.25 25 25 12.9	8	
7	77704690V	HOSE CLIP 77- 97	8	
8	77707810L	COPPER GASKET 33,3 39 2	2	
9	77733330A	BORED PLUG 33x200 M18x150	2	
10	77707580L	COPPER RING 18,2 23,9 1,5	2	
11	14400119D	RAC BIC CPL 18x150 4A12	2	

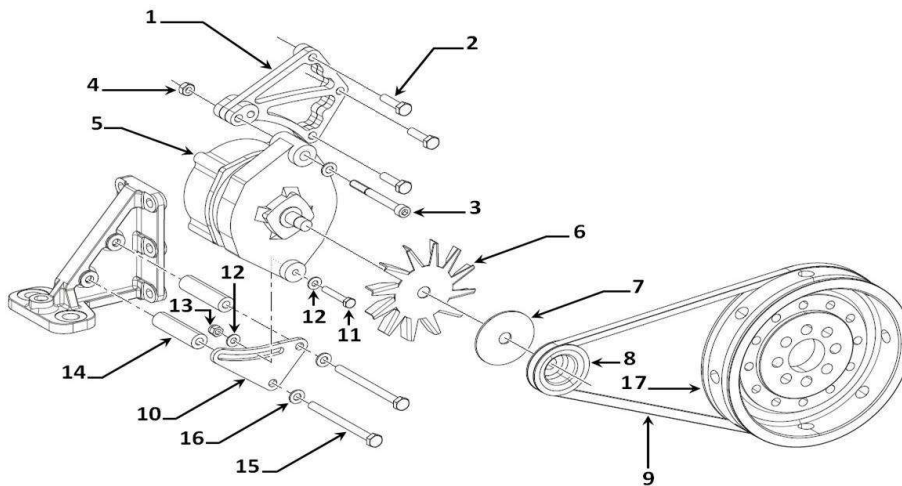


Rep	Reference	Description	Qty	Remarks
1	15061000C	SUPPORT	1	
2	77753530G	SCREW CHC 10 1.50 70 32	2	
3	16010320X	SPACER 11 20 36,5AV S	2	
4	77727370X	ELECTRO DE STOP	1	
5	77795460H	WASHER M 6 U 6,2 14 1,2 C	2	
6	77751250D	SCREW H6 1.00 10 10	4	
7	14060650Q	HOSE CLIP	1	
8	14560121T	CABLE	1	
9	14060980Z	CABLE CLIP	1	
10	77750030C	SCREW HC BP 5 0.80 6 6	1	
11	77722100T	SPLIT PIN V 2 X20	1	
12	15061010N	RALLONGE LEVIER STOP	1	
13	14060280N	SPACER 7 12 11	2	
14	77751040A	SCREW H 6 1.00 30 18	2	
15	77751030P	SCREW H 6 1.00 20 20	1	
16	77790100G	NUT H 6	5	
17	16061000J	THREADED ROD M6	1	
18	77791300L	NUT H 6	1	
19	77724540W	END PIECE	1	
20	16060990Y	CHAPES ASSEMBLEES M6_MAF	1	

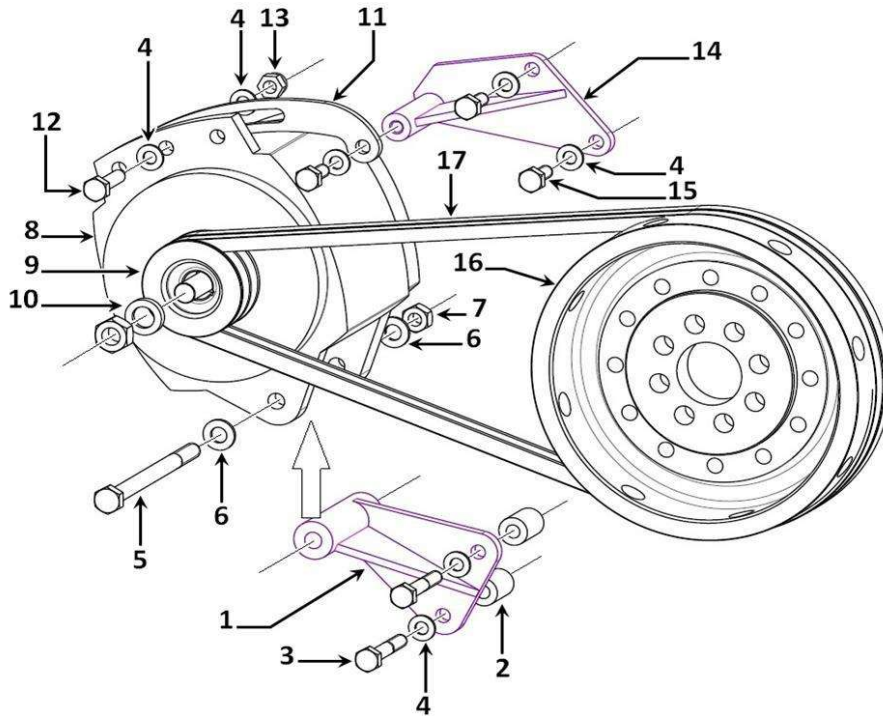


Rep	Reference	Description	Qty	Remarks
1	15050510A	SUPPORT	1	
2	7772080V	STUD 10(15. 10.20)	2	
3	77795530J	WASHER M 10 U 10,2 22 2	2	
4	77790300Z	NUT H 10	2	
5	15052530W	SUPPORT	1	
6	15052540G	SPACER 10,5 22 20,5	1	
7	77753090D	SCREW H 10 1.50 60 26	1	
8	16021700R	SCREW H 1/4" 3/4	4	
9	15551010X	EQUIPT COMMUN ELEC WOODW	1	Kit containing:
10	15551440P	ACTUATOR WOODWARD	1	Is in N°15551010X
11	15551451B	LEVIER WOODWARD TYPE 3979.007	1	Is in N°15551010X
12	15551470X	MAGNETIC SENSOR	1	Is in N°15551010X
13	14012100T	BORED PLUG 24X150 16X150	1	Is in N°15551010X
14	15051321G	TRINGLE DE COMMANDE	1	Kit containing:
15	13536170D	THREADED ROD	1	Is in N°15051321G
16	77790100G	NUT H 6	1	Is in N°15051321G
16	77790100G	NUT H 6	2	
17	77795460H	WASHER M 6 U 6,2 14 1,2 C	3	
18	77751090E	SCREW H 6 1.00 25 18	1	
19	77724530K	END PIECE	1	
20	77724520Z	END PIECE	1	

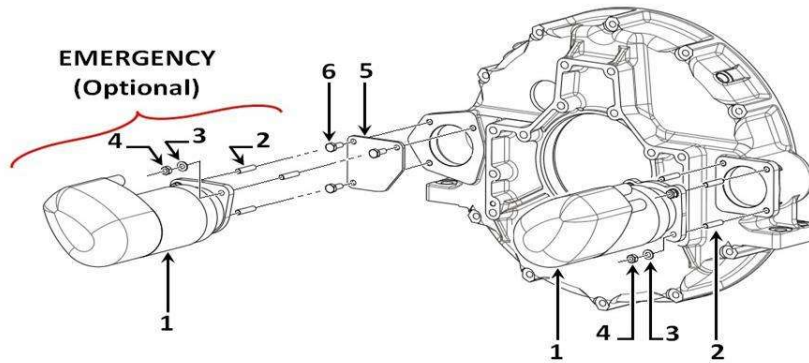
21	77752050Y	SCREW H8 1.25 30 22	1
22	77790200Q	NUT H 8	2
23	77795420P	WASHER Z 8 U 8,2 16 1,5	3



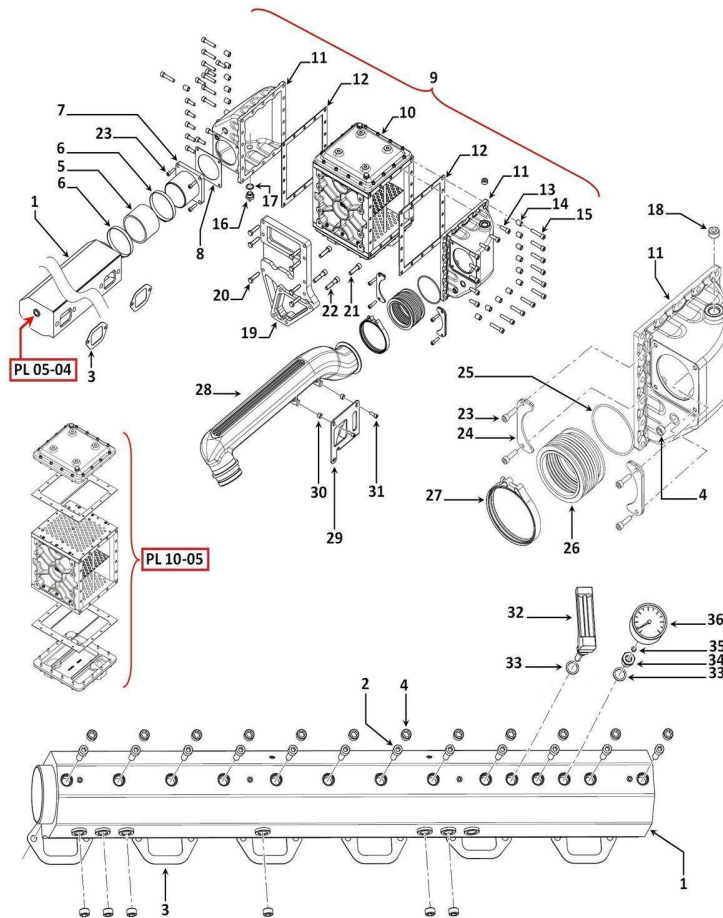
Rep	Reference	Description	Qty	Remarks
1	15070200C	SUPPORT - ALTERNATOR	1	
2	77753050K	SCREW H 10 1.50 40 26	3	
3	77753370H	SCREW CHC 10 1.50 100 32 12.9	1	
4	14400122G	NUT NYLSTOP M10 P 10	1	
-	15570330X	ALTERNATOR BOSCH 28V_55A PREPA	1	Kit containing:
5	77726990J	ALTERNATOR BOSCH N1/28V/55A	1	Is in N°15570330X
6	77727300W	VENTILATEUR SH TOLE	1	Is in N°15570330X
7	77727320S	WASHER	1	Is in N°15570330X
8	15070330T	PULLEY	1	Is in N°15570330X
9	77705470S	BELT SPAX 1205	1	
10	15070211P	BELT TENSIONER 6M26	1	
11	77752110N	SCREW H 8 1.25 50 22	1	
12	13521430G	WASHER 8,25 22 3	2	
13	77723060M	NUT NYLSTOP	1	
14	15070221A	SPACER 10,5 22 83	1	
15	77753320D	SCREW H 10 1.50 130 32	2	
16	77795580N	Washer	3	
17	15020750C	FRONT PULLEY	1	
-	77727970Z	PROTECTEUR BORNES ALTERNATEUR	3	



Rep	Reference	Description	Qty	Remarks
1	15070380Y	SUPPORT	1	
2	13536460T	SPACER 10,5 22 32	2	
3	77753110A	SCREW H 10 1.50 80 26	2	
4	77795580N	Washer	7	
5	77754440W	SCREW H 12 1.75 160 36	1	
6	77795430A	WASHER Z 12 U 12,5 24 2,5 CB	2	
7	77723110R	NUT NYLSTOP M12 P 10	1	
8	77726780F	ALTERNATOR 175A PREPARED "M26"	1	Kit containing:
9	15070360B	ALTERNATOR PULLEY 175A D71	1	Is in N°77726780F
10	77797260P	WASHER 17 28 6	1	Is in N°77726780F
11	15070370M	TENDEUR ALTERNATEUR 175A 6M26	1	
12	77753050K	SCREW H 10 1.50 40 26	1	
13	14400122G	NUT NYLSTOP M10 P 10	1	
14	15070390J	SUPPORT	1	
15	77753020C	SCREW H 10 1.50 25 25	3	
16	15070400V	FRONT PULLEY 175A 6M26	1	
17	77705300H	BELT SPAX 1320	2	

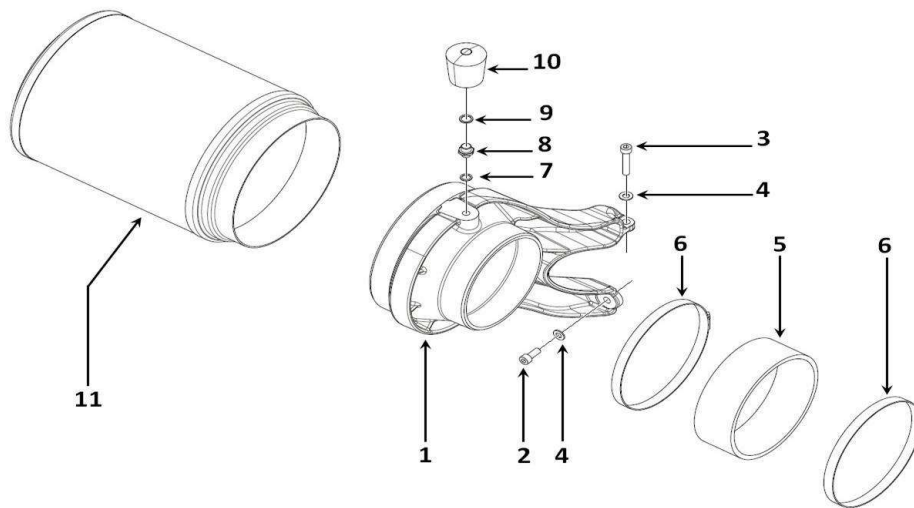


Rep	Reference	Description	Qty	Remarks
1	77726650P	STARTER KB 24V 6,6KW 12T.	1	
2	7772080V	STUD 10(15. 10.20)	3	
3	77720790V	WASHER SCHNORR S 10 10,5 1	3	
4	77790300Z	NUT H 10	3	
5	13601570Q	LOCK PLATE	1	
6	77753020C	SCREW H 10 1.50 25 25	3	

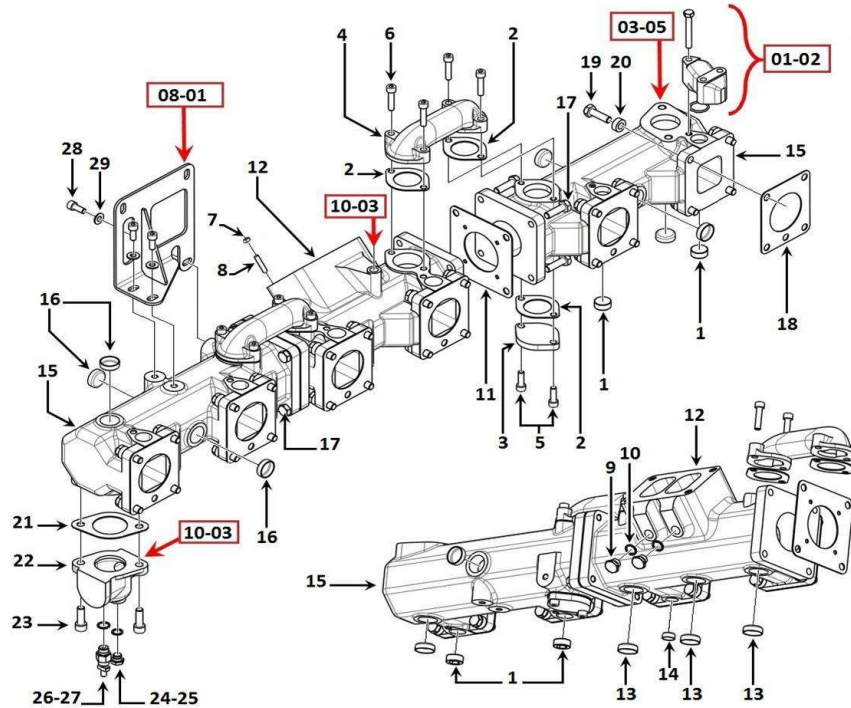


Rep	Reference	Description	Qty	Remarks
1	15080670H	INLET MANIFOLD	1	
2	77753190M	SCREW CHC 10 1.50 35 35 12.9	12	
3	15102820J	GASKET	6	
4	11114710G	PLUG - CONICAL 18X150 BRASS	20	
5	13633740H	HOSE 100 112 75	1	
6	X6123.865	HOSE CLIP	2	
7	X6123.089	TUBULURE RAS BLOKSMA/COLL ADM	1	
8	15102721B	FLAT GASKET	1	
9	15600420D	##	1	Kit containing:
11	15102710P	COOLER CAP	2	Is in N°15600420D
12	15102391S	CAP GASKET	2	Is in N°15600420D
13	77753300G	SCREW CHC	19	Is in N°15600420D
14	15102740X	SPACER	17	Is in N°15600420D
15	77753210J	SCREW CHC 10 1.50 50 32 12.9	17	Is in N°15600420D
16	15102800M	PLUG	1	Is in N°15600420D
17	77707600H	COPPER GASKET 22.2 28,9 1,5	1	Is in N°15600420D
18	11232970A	PLUG - CONICAL 22X150 BRASS	1	Is in N°15600420D
19	15102730L	SUPPORT	1	
20	77753060W	SCREW H 10 1.50 45 26	7	
21	77754230S	SCREW CHC 12 1.75 45 45	2	
22	77754510X	SCREW CHC 12 1.75 55 36 12.9	2	

23	77752250Q	SCREW CHC 8 1.25 30 30 12.9	8
24	15102700D	FLANGE	2
25	16010140B	O RING 104,37 3,53 NITR	1
26	15102660K	EXHAUST COMPENSATOR 6-12M26.2	1
27	15102690S	HOSE CLIP	1
28	15102670W	##	1
29	15102680G	##	1
30	14400192H	SPACER 8,5 16 10	2
31	77752240E	SCREW CHC 8 1.25 25 25 12.9	2
32	14110070H	THERMOMETRE 0-200D 18X150	1
33	77707580L	COPPER RING 18,2 23,9 1,5	2
34	13643120D	BORED PLUG 18X150 1/4 +02	1
35	77707770S	COPPER GASKET 5 9 1	1
36	77716250K	MANO AIR 0-2,5B 1/4G	1
-	15600440A	AIR COOLER GASKET KIT	1

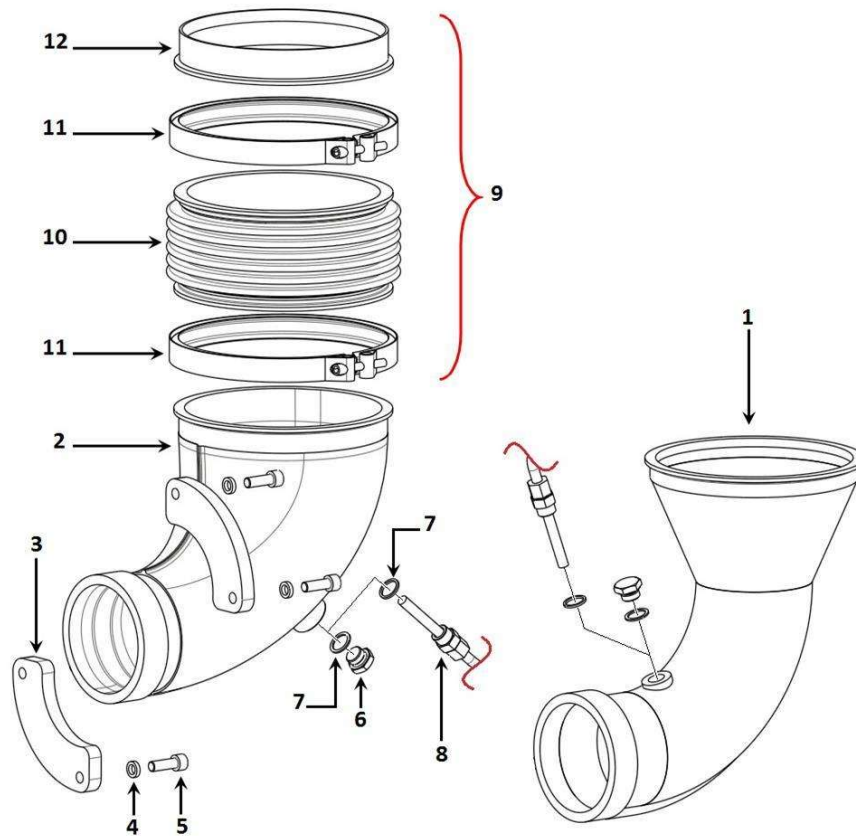


Rep	Reference	Description	Qty	Remarks
1	15080780C	SUPPORT - AIR FILTER	1	
2	77752380G	SCREW CHC 8 1.25 20 20	1	
3	77752780R	SCREW CHC 8 1.25 45 28 STAINLESS	1	
4	77795420P	WASHER Z 8 U 8,2 16 1,5	2	
5	15080880L	HOSE	1	
6	77704860E	HOSE CLIP 152-172	2	
7	77707510K	COPPER RING 10.2 14 1	1	
8	14400581F	FITTING 10x100 6JC-12x100 6JC	1	
9	77707520W	COPPER RING 12,2 15,9 1,5	1	
10	77728920B	AIR FILTER CLOGGING SENSOR	1	
11	15080381T	AIR FILTER M26	1	

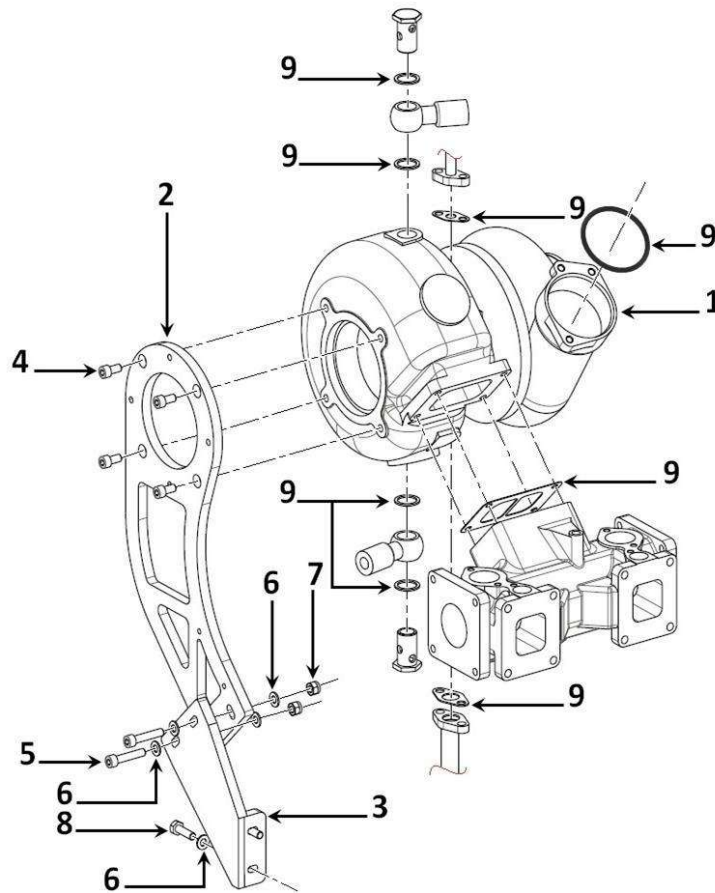


Rep	Reference	Description	Qty	Remarks
-	15590250Z	EXHAUST MANIFOLD	1	Kit containing:
1	11117950D	PLUG - CONICAL 24X150	4	Is in N°15590250Z
2	14031820D	OVAL GASKET	6	Is in N°15590250Z
3	15032090D	OVAL FLANGE E 62-64 FULL STEE	2	Is in N°15590250Z
4	15090452Q	BRIDGE WATER CIRCULATION	2	Is in N°15590250Z
5	77752240E	SCREW CHC 8 1.25 25 25 12.9	4	Is in N°15590250Z
6	77752430L	SCREW CHC 8 1.25 35 35 12.9	8	Is in N°15590250Z
7	14400122G	NUT NYLSTOP M10 P 10	4	Is in N°15590250Z
8	7772250E	STUD 10(15. 15.20)	4	Is in N°15590250Z
9	14400234D	PLUG 14X150	2	Is in N°15590250Z
10	77707540S	COPPER RING 14,5 17,9 1,5	2	Is in N°15590250Z
11	15090391Z	MANIFOLD GASKET	2	Is in N°15590250Z
12	15090830B	ELEM CENTR COLL ECH REFR	1	Is in N°15590250Z / Kit containing:
13	77701610X	CUP PLUG 28 STAINLESS	3	Is in N°15590250Z & in N°15090830B
14	77701510N	PLUG 18 STAINLESS	1	Is in N°15590250Z & in N°15090830B
15	15090840M	ELEM EXTREM COLL ECH REFR	2	Is in N°15590250Z / Kit containing:
16	77701610X	CUP PLUG 28 STAINLESS	3	Is in N°15590250Z & in N°15090840M
17	77753040Z	SCREW H 10 1.50 35 35	8	Is in N°15590250Z
18	15090410V	GASKET	6	
19	77753040Z	SCREW H 10 1.50 35 35	24	
20	27675420D	SPACER 10,5 20 8	24	

21	13616651H	OVAL GASKET E 84 V10 ELASTOMER	1
22	15034410A	ELBOW	1
23	77753300G	SCREW CHC	2
24	14040940R	PLUG 12X150 STEEL	1
25	77707520W	COPPER RING 12,2 15,9 1,5	1
26	15032100P	COCK 14X150 PERCE 5	1
27	77707540S	COPPER RING 14,5 17,9 1,5	1
28	77752380G	SCREW CHC 8 1.25 20 20	3
29	77795420P	WASHER Z 8 U 8,2 16 1,5	3
-	15599030S	EXHAUST MANIFOLD GASKET KIT	2



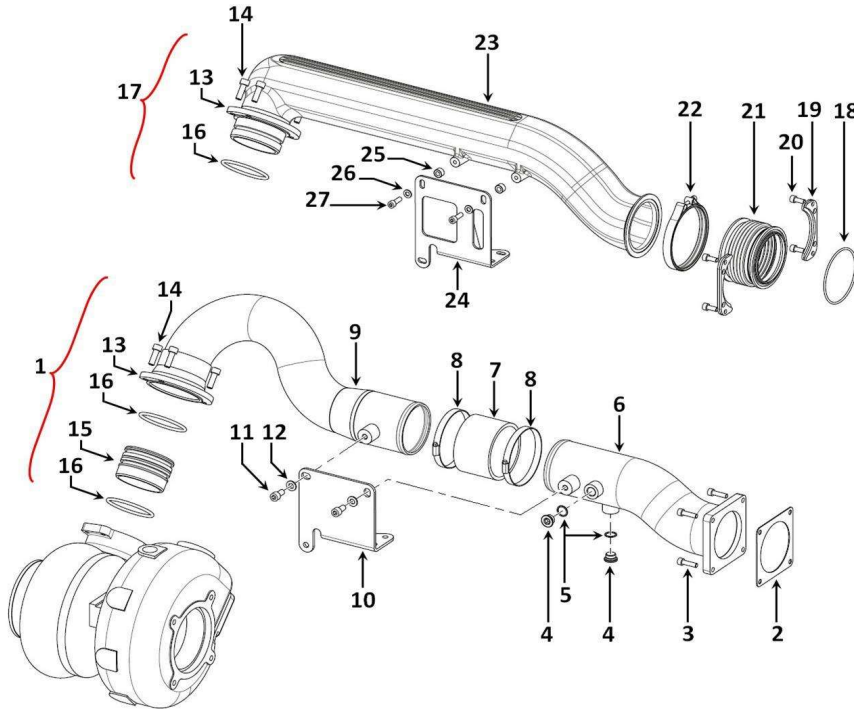
Rep	Reference	Description	Qty	Remarks
1	15090950G	ELBOW	1	
-	15590260K	HEAT INSULATION	1	
2	15090951H	ELBOW	1	
-	15590261L	HEAT INSULATION	1	
3	16081110S	FIXING FLANGE	2	
4	13521150C	RING 10,2 16,2 4	4	
5	77753300G	SCREW CHC	4	
6	11230560F	PLUG 18X150 BRASS	1	
7	77707580L	COPPER RING 18,2 23,9 1,5	1	
8	77740101K	TEMPERATURE SENSOR	1	
9	15590280G	EXHAUST COMPENSATOR 6M26.2	1	Kit containing:
10	15100930E	EXHAUST COMPENSATOR	1	Is in N°15590280G
11	15100940Q	HOSE CLIP	2	Is in N°15590280G
12	15101160E	MANCHETTE / COMPENS DILAT	1	Is in N°15590280G
-	15590270W	##	1	



Rep	Reference	Description	Qty	Remarks
1	15102780Q	TURBO CHARGER CW 6-12M26.2	1	
1	15600360N	TURBO CHARGER S500 W M26.2	1	
2	15102180N	BACK PLATE	1	
3	15102190Z	PLAQUE INFERIEUR SUPPORT TC	1	
4	77753270Z	SCREW CHC 10 1.50 20 20	4	
5	77753210J	SCREW CHC 10 1.50 50 32 12.9	2	
6	77795580N	Washer	6	
7	14400122G	NUT NYLSTOP M10 P 10	2	
8	77753040Z	SCREW H 10 1.50 35 35	2	
9	15609400P	TURBO GASKET KIT	1	
-	15109340W	TC MAINTENANCE KIT 6-8-12M26.2	1	

10 - Turbocharging

TURBOCHARGER AIR CONNECTION

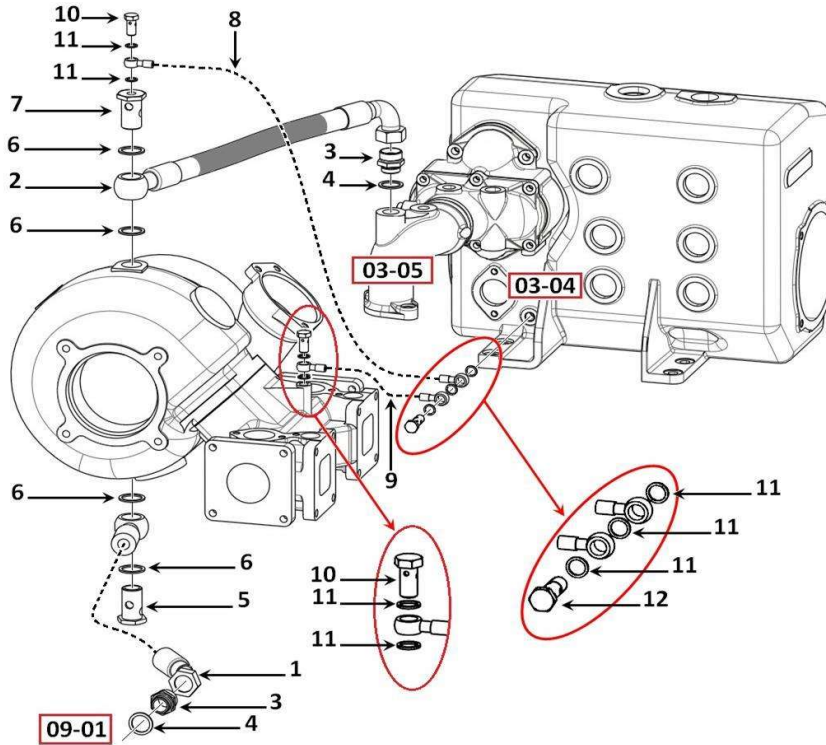


Rep	Reference	Description	Qty	Remarks
2	15102721B	FLAT GASKET	1	Is in N°15109340W
3	77752250Q	SCREW CHC 8 1.25 30 30 12.9	4	Is in N°15109340W
4	14400078J	PLUG 18X150 STEEL	2	Is in N°15109340W
5	77707900J	COPPER RING 18,2 22 1,5	2	Is in N°15109340W
6	X6209.055	TUBULURE AR REFOULMENT AIR TC	1	Is in N°15109340W
7	13630010D	HOSE 100 113 75	1	Is in N°15109340W
8	X6123.865	HOSE CLIP	2	Is in N°15109340W
9	X6209.056	TUBULURE AV REFOULMENT AIR TC	1	Is in N°15109340W
10	X6123.858	TOLE MAINTIEN TUBULURE AIR TC	1	Is in N°15109340W
11	77753270Z	SCREW CHC 10 1.50 20 20	2	Is in N°15109340W
12	77795580N	Washer	2	Is in N°15109340W
13	15102460S	TUBE FLANGE	1	Is in N°15109340W
14	77753300G	SCREW CHC	3	Is in N°15109340W
15	X6123.952	DOUILLE LIAISON TURBO/TUBULURE	1	Is in N°15109340W
16	13633730X	O RING 81,9 5,33 VITO	2	Is in N°15109340W
18	16010140B	O RING 104,37 3,53 NITR	1	Is in N°15109340W
19	15102700D	FLANGE	2	Is in N°15109340W
20	77752250Q	SCREW CHC 8 1.25 30 30 12.9	4	Is in N°15109340W
21	15102660K	EXHAUST COMPENSATOR 6-12M26.2	1	Is in N°15109340W
22	15102690S	HOSE CLIP	1	Is in N°15109340W
23	15102670W	##	1	Is in N°15109340W

24	15102680G	##		1	Is in N°15109340W
25	14400192H	SPACER	8,5 16 10	2	Is in N°15109340W
26	77795420P	WASHER Z	8 U 8,2 16 1,5	2	Is in N°15109340W
27	77752240E	SCREW CHC	8 1.25 25 25 12.9	2	Is in N°15109340W
13	15102460S	TUBE FLANGE		1	Is in N°15109340W
14	77753300G	SCREW CHC		3	Is in N°15109340W
16	13633730X	O RING	81,9 5,33 VITO	1	Is in N°15109340W

10 - Turbocharging

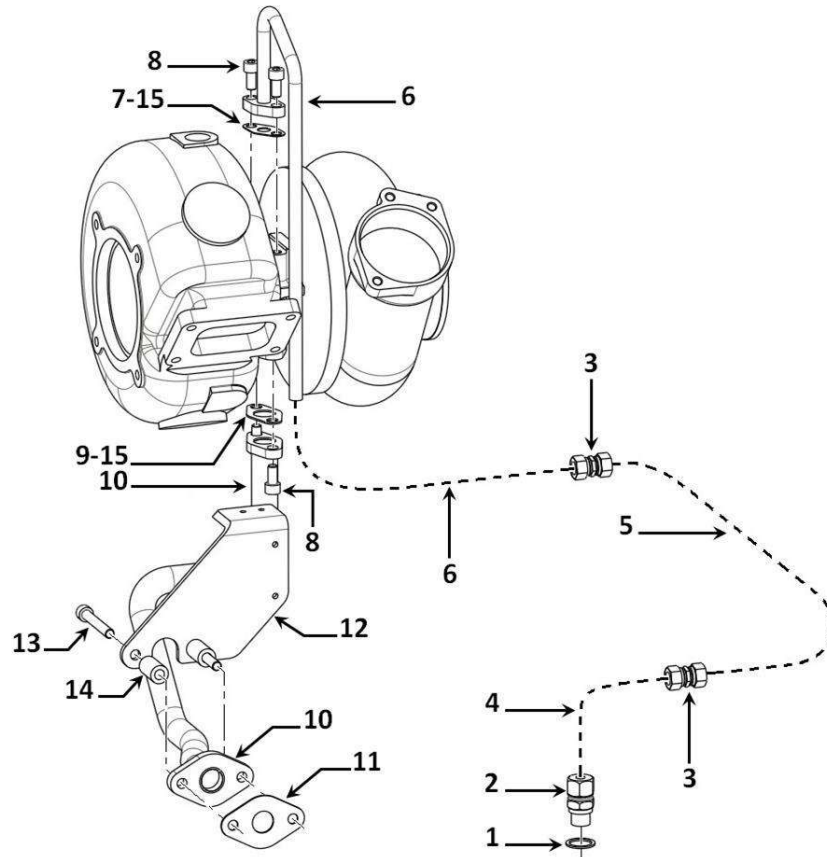
TURBOCHARGER WATER CONNECTION



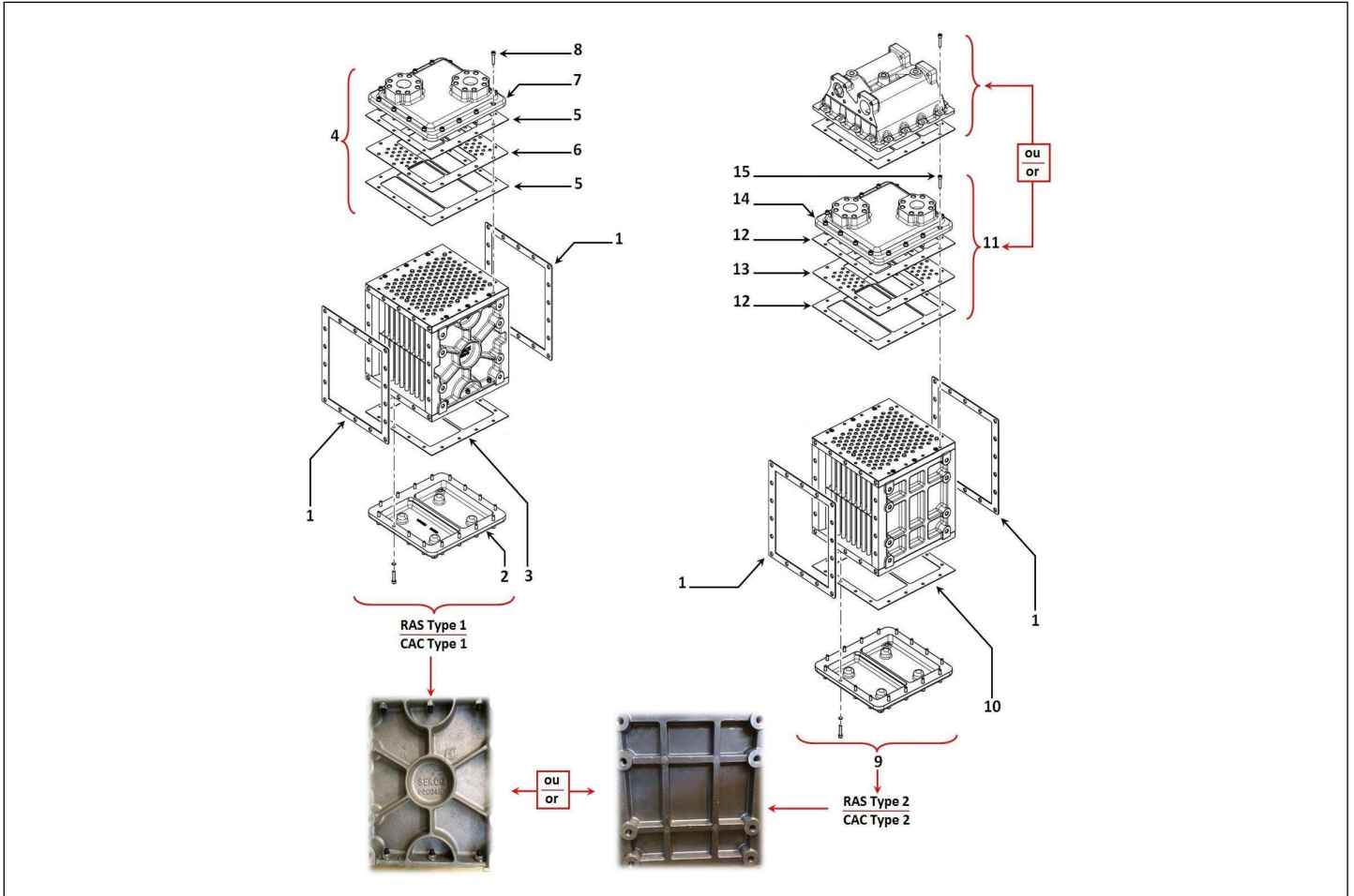
Rep	Reference	Description	Qty	Remarks
1	15102500L	FLEXIBLE	1	
2	15102650Z	FLEXIBLE	1	
3	15101340A	FITTING 25x150 JC-30x150 60°	2	
4	77707840T	COPPER GASKET 25,3 32,9 2	2	
5	15101403T	HOLLOW SCREW 1"1/16 UNF	1	
6	14400462B	COPPER GASKET 27,3 35 2	4	
7	15101402S	HOLLOW SCREW 1"1/16 12X150	1	
8	15101670J	FLEXIBLE	1	
9	15100900X	FLEXIBLE	1	
10	77720210P	HOLLOW SCREW 12X150 DIN7623	2	
11	77707520W	COPPER RING 12,2 15,9 1,5	7	
12	77720240X	HOLLOW SCREW 12X150	1	

10 - Turbocharging

TURBOCHARGER OIL CONNECTION



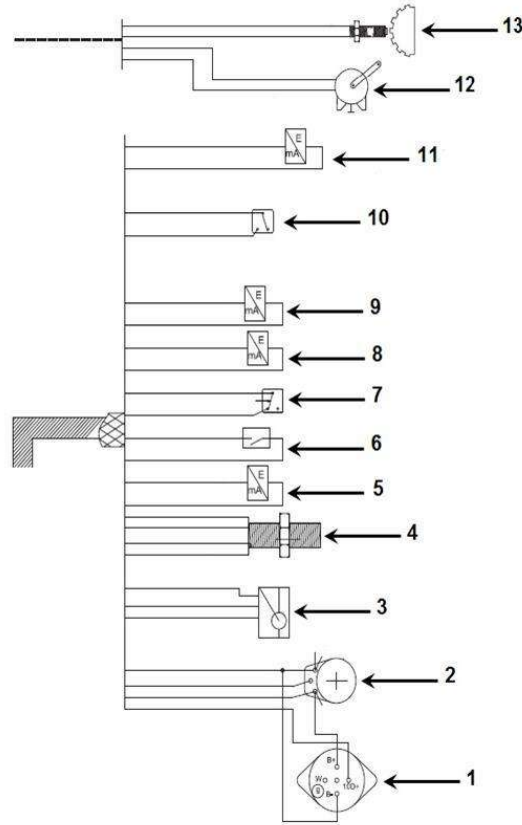
Rep	Reference	Description	Qty	Remarks
1	77707590X	COPPER RING 20.2 25,9 1,5	1	
2	16010860J	RAC BIC CPL 20x150 4A14	1	
3	15100330C	RAC BIC DBLE 14 3A14	2	
4	15102230S	TUBE ALIM HUILE TC 6M26 1/3	1	
5	15102470D	##	1	
6	15102480P	##	1	
7	14409622H	GASKET	1	
8	77753270Z	SCREW CHC 10 1.50 20 20	4	
9	13533370K	GASKET	1	
10	15102490A	OIL RETURN PIPE	1	
11	27306460K	OVAL GASKET 38x60x68 ELASTOMER	1	
12	15061000C	SUPPORT	1	
13	77753530G	SCREW CHC 10 1.50 70 32	2	
14	16010320X	SPACER 11 20 36,5AV S	2	
15	15609400P	TURBO GASKET KIT	1	



Rep	Reference	Description	Qty	Remarks
1	15102391S	CAP GASKET	2	
2	15109270V	CAP	1	
3	15109250Y	FLAT GASKET	1	
5	15109240M	FLAT GASKET	2	Is in N°15609630P
8	77751200Z	SCREW CHC 6 1.00 30 30	16	Is in N°15609630P
10	15109360S	CAP GASKET	1	Is in N°15102341N
12	15109350G	GASKET	2	Is in N°15102341N & in N°15609620D
15	77752440X	SCREW CHC 8 1.25 50 28	16	Is in N°15102341N & in N°15609620D
-	77790200Q	NUT H 8	8	Is in N°15102341N & in N°15609620D

11 - Circuit

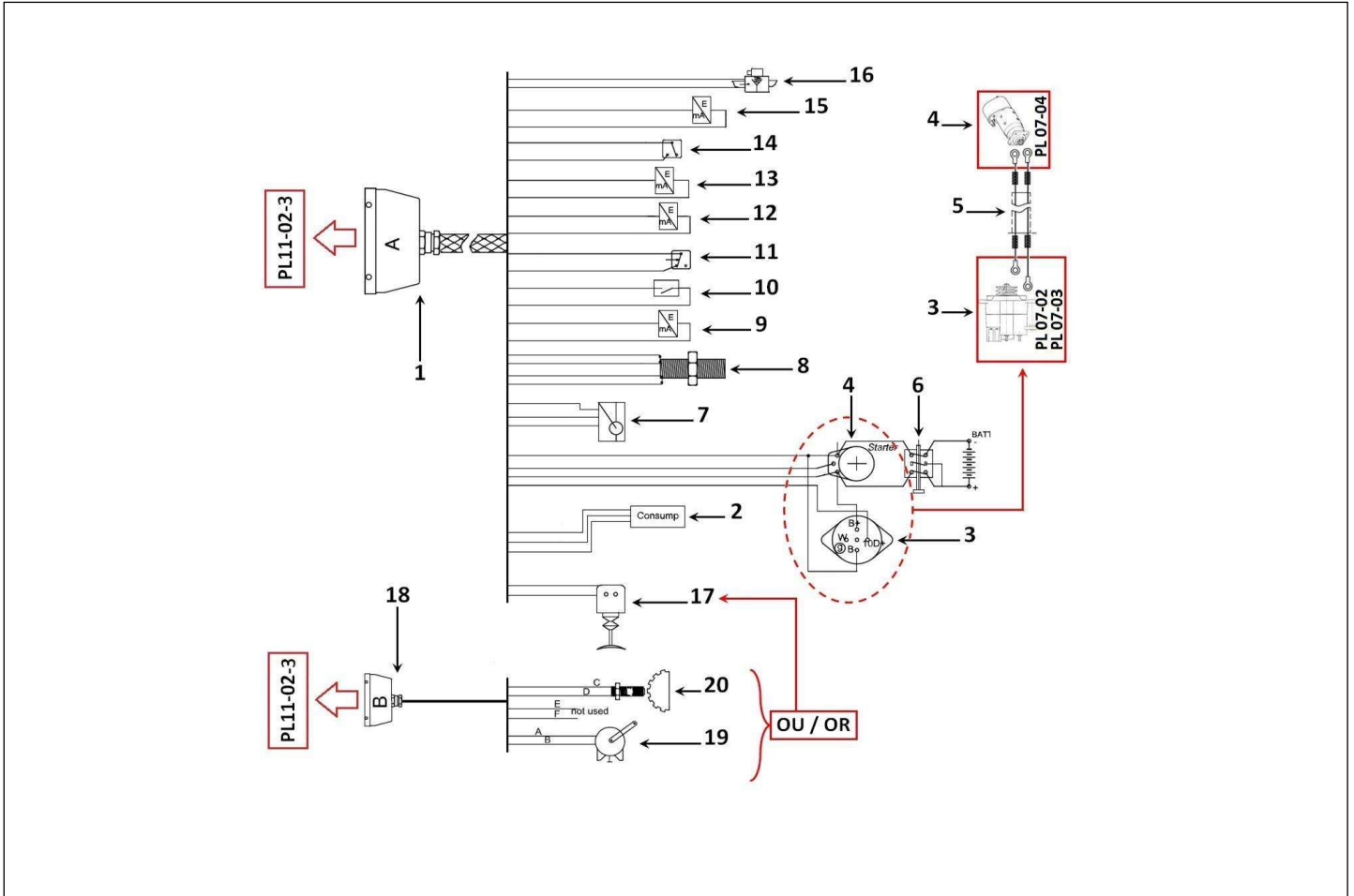
GENSET ENGINE WIRING (TYPE2)



Rep	Reference	Description	Qty	Remarks
1	77726780F	ALTERNATOR 175A PREPARED "M26"	1	
2	77726650P	STARTER KB 24V 6,6KW 12T.	1	
3	77727160T	NIVEAU D'EAU ECHANGE. NF	1	
4	16200200N	DOUBLE MAGNETIC SENSOR	1	
5	15112580S	TEMP. SENSOR 0-200°C M18 4-20mA	1	
6	77728440K	Leak recuperator box	1	
7	15112220B	MANOCONTACT TBP° HUILE MOT 1.6	1	
8	15112410H	SENSOR - PRESSURE SENSOR 0-10	1	
9	15112580S	TEMP. SENSOR 0-200°C M18 4-20mA	1	
10	15112210Q	THERMOCONTACT "DANFOSS" 90°C	1	
11	77740102L	EXHAUST TEMP. SENSOR	1	
12	15551440P	ACTUATOR WOODWARD	1	
13	15551470X	MAGNETIC SENSOR	1	

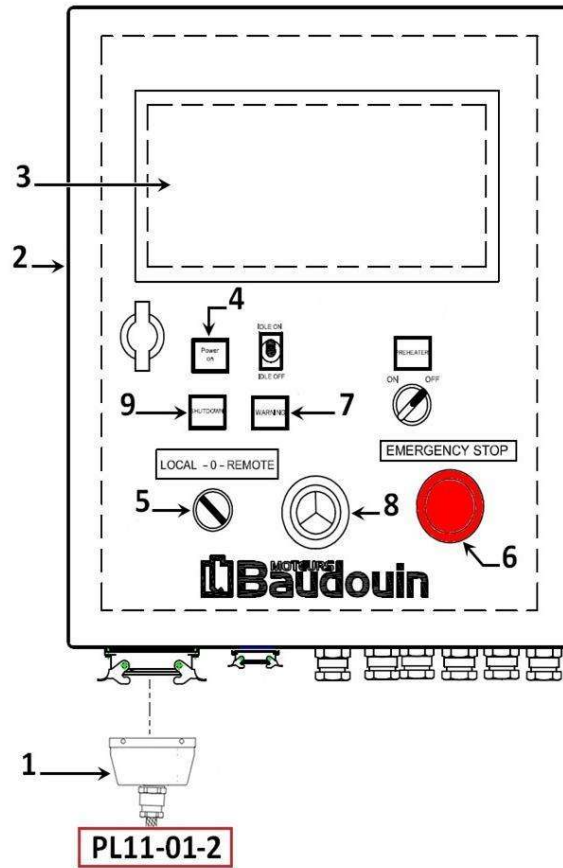
11 - Circuit

ENGINE WIRING (SIMB)

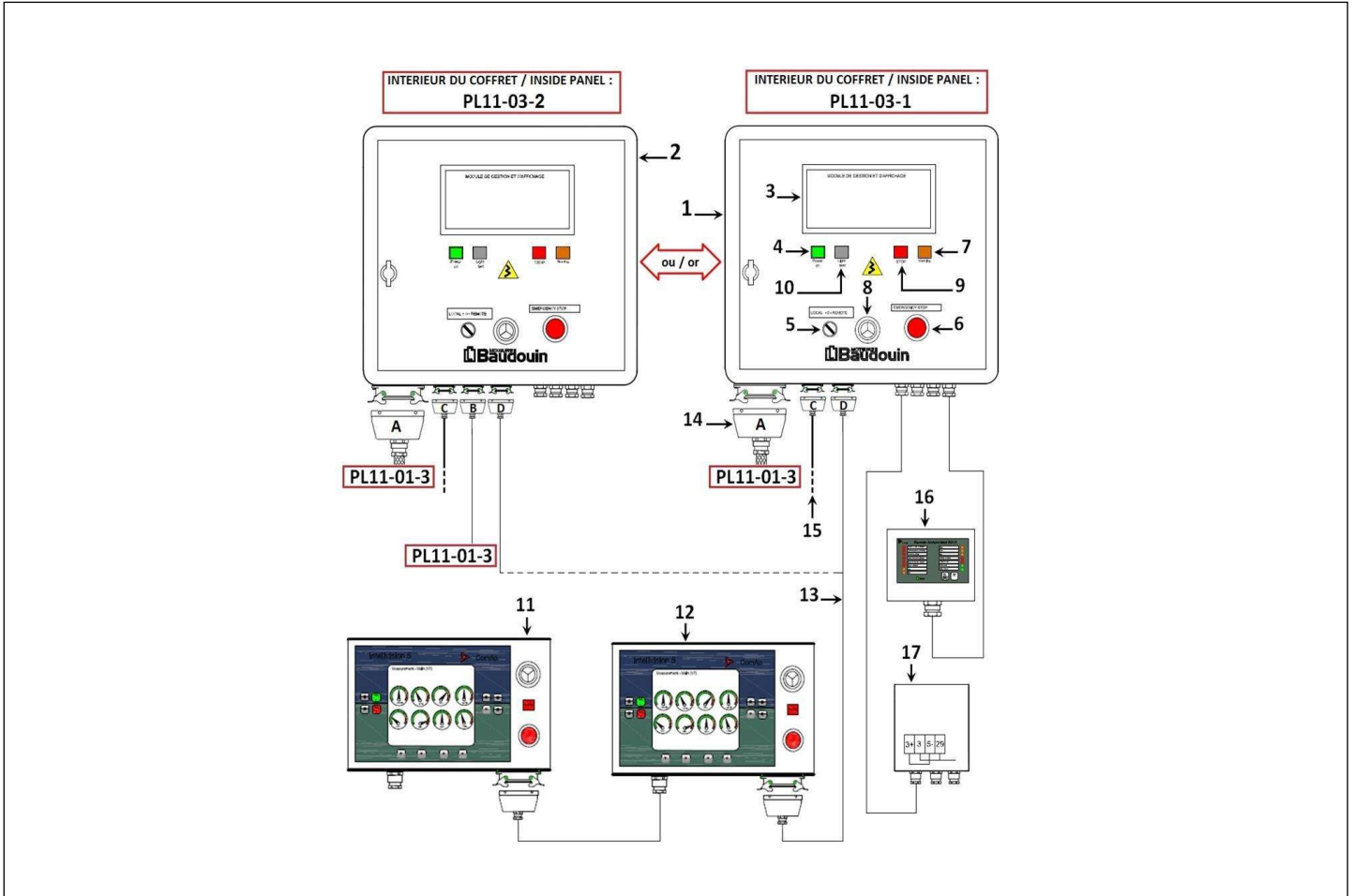


Rep	Reference	Description	Qty	Remarks
1	15112540Z	WIRING HARNESS STD 6M26-2	1	
2	77740421H	MESURE COURSE CREMAILLERE 6M26	1	
3	15570330X	ALTERNATOR BOSCH 28V_55A PREPA	1	
3	77726780F	ALTERNATOR 175A PREPARED "M26"	1	
4	77726650P	STARTER KB 24V 6,6KW 12T.	1	
5	77740520Q	LIAISON ALT.175A/DEMR.6M26	1	
6	77727860E	COUPE BATTERIE BIPOL.ROTATIF	1	
7	77727160T	NIVEAU D'EAU ECHANGE. NF	1	
8	16200200N	DOUBLE MAGNETIC SENSOR	1	
9	15112580S	TEMP. SENSOR 0-200°C M18 4-20mA	1	
10	77728440K	Leak recuperator box	1	
11	15112220B	MANOCONTACT TBP° HUILE MOT 1.6	1	
12	15112410H	SENSOR - PRESSURE SENSOR 0-10	1	
13	15112580S	TEMP. SENSOR 0-200°C M18 4-20mA	1	
14	15112210Q	THERMOCONTACT "DANFOSS" 90°C	1	
15	77740102L	EXHAUST TEMP. SENSOR	1	
16	15111101K	SOLENOID VALVE	1	
17	77727370X	ELECTRO DE STOP	1	
18	15113200R	##	1	
-	15113170J	##	-	
19	15551440P	ACTUATOR WOODWARD	1	

20	15551470X	MAGNETIC SENSOR	1
-	77740260H	MANETTE DE CDT.VITESSE MOT/PR.	1



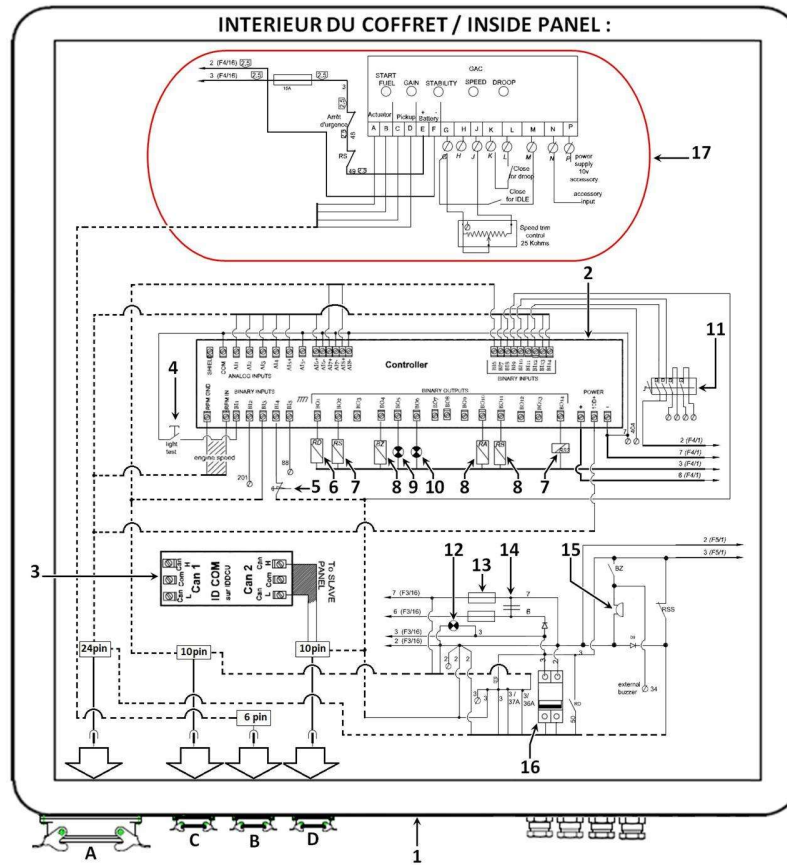
Rep	Reference	Description	Qty	Remarks
3	16200180R	##	1	Is in N°C3359.401
4	16100887P	VOYANT VERT 18X18 TELEM.	1	Is in N°C3359.401
5	16100883K	B.ROTATIF 3 POSITIONS P/GEB	1	Is in N°C3359.401
6	15119880C	EMERGENCY SWITCH	1	Is in N°C3359.401
7	16100888Q	VOYANT CPLET. ROUGE 18X18 TELE	1	Is in N°C3359.401
8	15119700G	BUZZER 24Vcc	1	Is in N°C3359.401
9	16100888Q	VOYANT CPLET. ROUGE 18X18 TELE	1	Is in N°C3359.401
-	16100660S	REGULATEUR DE VITESSE "G.A.C"	1	Is in N°C3359.401
-	15119650F	DISJONCTEUR 2P/2D 10A MG20545	1	Is in N°C3359.401
-	15119390V	RELAIS "FINDER" SERIE 65 1NO	1	Is in N°C3359.401
-	15119360M	RELAIS "FINDER" SERIE 65 NO/NC	2	Is in N°C3359.401
-	16040373N	RELAIS "FINDER" SERIE 44 2RT	5	Is in N°C3359.401
-	C8108.036	RELAIS "FINDER" SERIE 56 4RT	1	Is in N°C3359.401
-	77740680P	##		Is in N°C3359.401



Rep	Reference	Description	Qty	Remarks
1	15113500S	##	1	
2	15113510D	##	1	Kit containing:
3	16200180R	##	1	Is in N°15113510D
4	16100887P	VOYANT VERT 18X18 TELEM.	1	Is in N°15113510D
5	16100883K	B.ROTATIF 3 POSITIONS P/GEB	1	Is in N°15113510D
6	15119880C	EMERGENCY SWITCH	1	Is in N°15113510D
7	16045471E	VOYANT CPLET ORANGE 18X18 TELE	1	Is in N°15113510D
8	15119700G	BUZZER 24Vcc	1	Is in N°15113510D
9	16100888Q	VOYANT CPLET. ROUGE 18X18 TELE	1	Is in N°15113510D
10	77740980Q	PUSH BUTTON	1	Is in N°15113510D
11	15113390Y	##	1	
12	15113390Y	##	-	
13	77740970E	##	1	
13	77740971F	##	1	
14	15112540Z	WIRING HARNESS STD 6M26-2	1	
-	15112590D	##	-	
15	15113185A	##	1	
15	15113186B	##	1	
15	15113187C	##	1	
16	15113631K	##	1	
17	13578935M	COFFRET D'ALARMS SONORES	1	

11 - Circuit

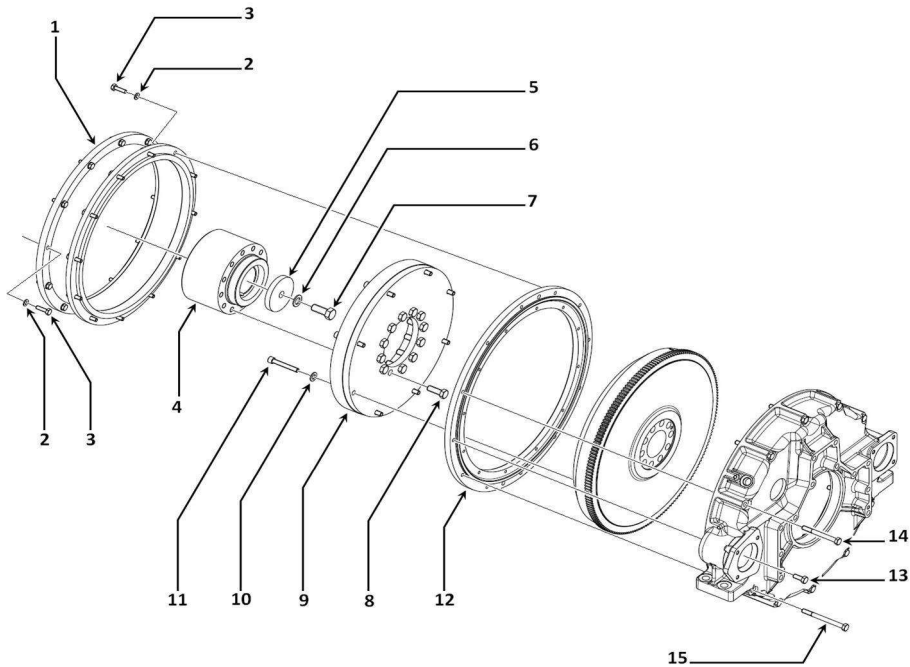
ELECTRICAL SPEED CONTROL PANEL



Rep	Reference	Description	Qty	Remarks
1	15113510D	##	1	Kit containing:
2	16200180R	##	1	Is in N°15113510D
3	77740680P	##	1	Is in N°15113510D
4	77740980Q	PUSH BUTTON	1	Is in N°15113510D
5	15119880C	EMERGENCY SWITCH	1	Is in N°15113510D
6	15119390V	RELAIS "FINDER" SERIE 65 1NO	1	Is in N°15113510D
7	15119360M	RELAIS "FINDER" SERIE 65 NO/NC	2	Is in N°15113510D
9	16100888Q	VOYANT CPLET. ROUGE 18X18 TELE	1	Is in N°15113510D
10	16045471E	VOYANT CPLET ORANGE 18X18 TELE	1	Is in N°15113510D
11	16100883K	B.ROTATIF 3 POSITIONS P/GEB	1	Is in N°15113510D
12	16100887P	VOYANT VERT 18X18 TELEM.	1	Is in N°15113510D
14	77741000M	##	1	Is in N°15113510D
15	15119700G	BUZZER 24Vcc	1	Is in N°15113510D
16	15119650F	DISJONCTEUR 2P/2D 10A MG20545	1	Is in N°15113510D
17	16100660S	REGULATEUR DE VITESSE "G.A.C"	1	Is in N°15113510D
17	15551051R	REGULATEUR DE VITESSE	1	Is in N°15113510D
A	77741060C	##	1	Is in N°15113510D
C	77741040F	##	1	Is in N°15113510D
D	77741040F	##	1	Is in N°15113510D

12 - Interface

GENSET ELASTIC COUPLING



Rep	Reference	Description	Qty	Remarks
1	15170270Z	SPACER	1	
2	77795690H	WASHER Z10 U INOX	24	
3	77753040Z	SCREW H 10 1.50 35 35	24	
5	77797320E	WASHER 21 108 15	1	
6	77795600K	WASHER Z 20 U 21 36 3	1	
7	77758000Q	SCREW H 20 2.50 50 50	1	
8	77756040K	SCREW H 16 2.00 45 45	12	
9	15120760J	ELASTIC COUPLING	1	
9	15120710E	ELASTIC COUPLING	1	
10	77795440L	WASHER Z 14 U 14,5 27 2,5	8	
11	77754490A	SCREW CHC 12 1.75 80 80	8	
12	15010901X	SPACER	1	
13	77754020P	SCREW H 12 1.75 30 30	2	
14	77754160R	SCREW H 12 1.75 110 30	5	
15	77754180N	SCREW H 12 1.75 135 31	5	